

PRV PRO wall-mounted fume exhauster with rigid tube arm and fan



📌 Sectors [Welding](#),

📌 Applications: [Fix](#)

📌 Issues [Fumes](#)

COD: PRV000000000000

The **PRV PRO self-supporting articulated suction arm** is the professional series of rigid tube arms, with the possibility of additional diameters compared to the HRV160 model and, above all, equipped with a quadruple pantograph for guaranteed stability over time.

Detailed description

The **PRV PRO self-supporting articulated suction arm** is the ideal solution for capturing fumes, gases and micro-dust as close as possible to the operator, as required by safety regulations. The respiratory tract is thus protected from fumes and dust from welding, grinding and other processes.

The PRV series suction arms, thanks to external pantographs, can be moved smoothly and lightly in all directions and maintain the desired position for maximum working comfort. Stability and precision are ensured by the plastic spring and clutch system.

The suction hood is made of black painted galvanised sheet metal, suitable for hot fumes, with elliptical intake and comfortable ergonomic handle for easy and stable positioning.

Aspirator: YES / to be connected to circular section exhaust piping.

Advantages

- maximum precision thanks to quadruple pantograph
- no components immersed in the sucked fluid
- minimal pressure losses

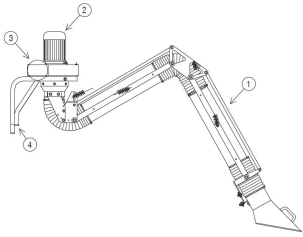
Installation: wall-mounted

Aspirator: YES / to be connected to circular section exhaust piping

Operating temperature: -20°C to +90°C

Maximum depression: 1600 Pa



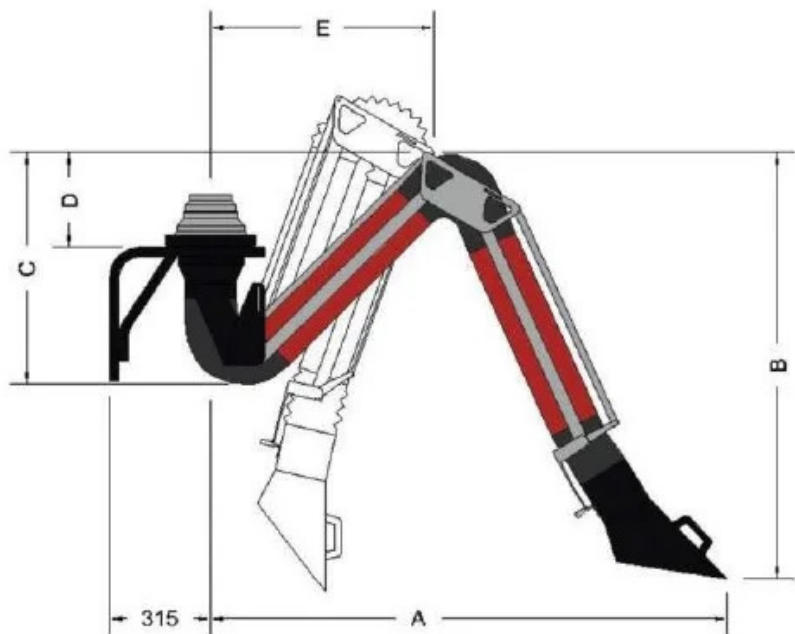


Structure

- pRM PRO series arm (1)
- aspirators (2) complete with square-round reduction (3)
- bracket (4)



Dimensions



Code	A mm	B mm	C mm	D mm	E mm
PRV125200000000	2305	1445	868	460	699
PRV125300000000	3305	1955	1346	939	873
PRV125400000000	4305	2455	1816	1408	1044
PRV160200000000	2375	1515	885	460	699
PRV160300000000	3375	2025	1364	939	873
PRV160400000000	4375	2525	1833	1408	1044
PRV200200000000	2415	1555	905	460	699
PRV200300000000	3415	2065	1384	939	873
PRV200400000000	4415	2565	1853	1408	1044
PRV250200000000	2580	1666	930	368	822
PRV250300000000	3580	2176	1409	847	996
PRV250400000000	4580	2676	1878	1316	1167

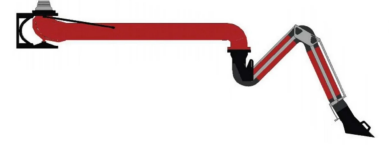


Technical Data

Code	Nominal flow rate m ³ / h	Arm length meters	Pipe diameter mm
PRV125200000000	750	2	125
PRV125300000000	750	3	125
PRV125400000000	750	4	125
PRV160200000000	1250	2	160
PRV160300000000	1250	3	160
PRV160400000000	1250	4	160
PRV200200000000	2000	2	200
PRV200300000000	2000	3	200
PRV200400000000	2000	4	200
PRV250200000000	3000	2	250
PRV250300000000	3000	3	250
PRV250400000000	3000	4	250



Photogallery



Accessories



Rectangular arm hood diam. 200mm

CAPPARETBR00000

The MAXIRET hood, thanks to its size and louvers, functions as a suction wall for efficient capture of pollutants over large areas.

