

SOIL oil mist extractor on board machine

🔧 Sectors **CNC machining**,

🔧 Applications: **Fix**

🔧 Issues **Oil mists**

COD: SOIL00000000000



SOIL machine-mounted extraction for mists generated by whole oil or emulsions.

Detailed description

SOIL is an extractor for mists generated by whole oil or emulsions in machine tools even in the presence of particulate matter.

Available in different model sizes with flow rates up to 3500 m³/h.

QUALITY and RELIABILITY. We guarantee that each vacuum cleaner is individually tested through rigorous inspection procedures.

A quality and functional test certificate is issued for each unit.

Warranty 24 months- supplied with socket, plug and lifting spacers.

Available configurations and accessories

- Cartridge post-filter for micro mists, vapors and fumes. Allows for a very high level of filtration up to 99.97%
- Suction hose connection plate.
- PVC suction hose.
- Ø 25 mm drainage hose.
- Hose clamps.





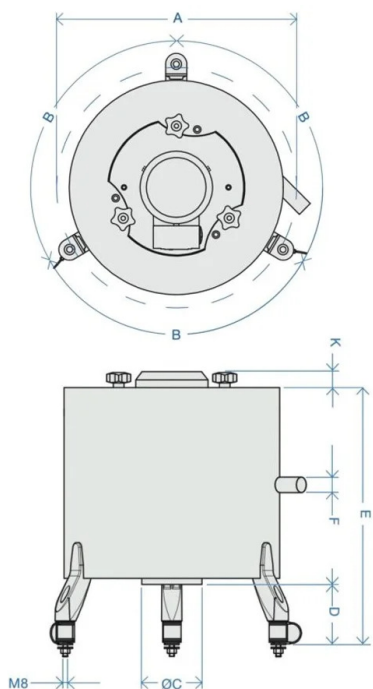
Simple and effective operating principle

Oily mists are sucked into the pre-chamber (A) and thanks to the centrifugal force generated by a turbine, the oil particles are atomised and then coalesce and return to a liquid state, exploiting the principle of coalescence.

The smaller airborne particles are filtered out by a high efficiency mechanical filter, while the oil in its liquid state is returned to the CNC for reuse thanks to a side drain sleeve



Dimensions



Code	A mm	B mm	ØC mm	D mm	E mm	H mm	I mm	L mm	ØF mm	ØG mm	J mm
SOIL25000000000	330	120	78	98	388	314	700	99	25	254	93
SOIL50000000000	400	120	98	98	418	314	730	118	25	315	113
SOIL10000000000	490	120	148	88	508	435	930	168	25	380	163
SOIL20000000000	530	120	148	88	558	435	950	168	25	380	163
SOIL30000000000	560	120	198	88	658	350	1025	223	25	460	218



Technical Data

Code	Diameter mm	Power W	Nominal flow rate m ³ / h	Noise Db (A)	Weight kg	Rotational speed rpm
SOIL250000000000	80	90	330	58	10	2900
SOIL500000000000	100	250	700	68	14	2900
SOIL100000000000	150	550	1500	70	29	2800
SOIL200000000000	150	1100	2200	73	29	2900
SOIL300000000000	200	1150	3450	75	54	2900



Technical Data

Code	Filtering efficiency %	Pipe Ø mm
SOIL000000000000	99,97	25



Photogallery



Accessories



SOIL filter clogging check

MONITSOIL0000000

The MSOIL kit can detect the progressive clogging status of the vacuum cleaner, providing three different visual signals

- GREEN: Filters Clean;
- YELLOW: Pre-clogging
- RED: Clogging.



SOIL post-filter high efficiency 99.97%

CARTSOIL0000000

High-efficiency afterfilter for micro mists, vapours and fumes, for SOIL series extractors



Spare parts



Replacement filter for SOIL oil mist extractor

Replacement filter for SOIL oil mist vacuum cleaner



Replacement consumable post filter cartridge SOIL 99,97%

