

SEQA1400 High Flow Axial Fan

🔗 Sectors [Ventilation](#),

🔗 Applications: [Fix](#)

🔗 Issues [Heat](#), [Fumes](#)



COD: SEQA14000000000

High-flow axial fans suitable for wall or overhead installation to **create a uniform indoor climate and recirculate air in commercial and industrial buildings, farms, barns, and greenhouses.**

Detailed description

CONSTRUCTION

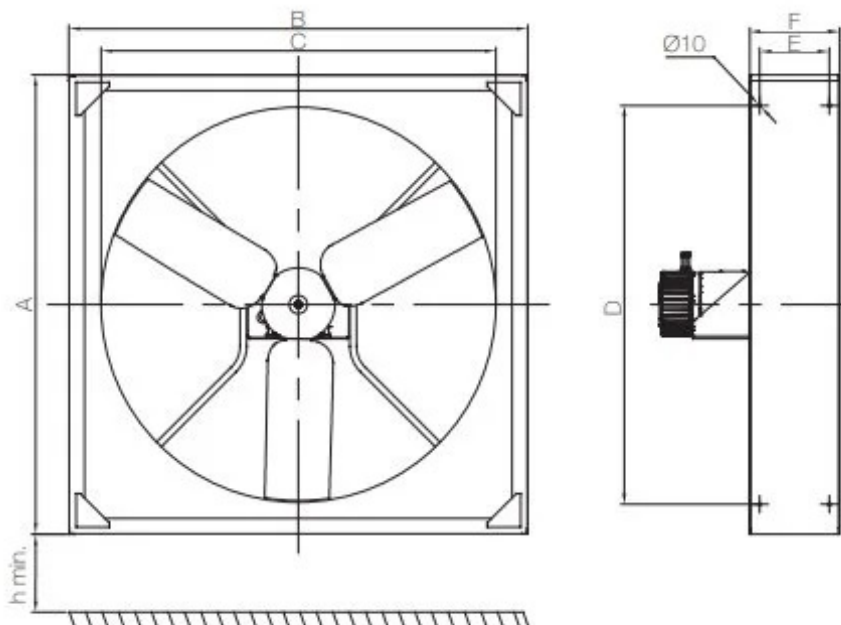
- Galvanized steel frame.
- Fans with **variable pitch angle** equipped with blades made of fiberglass-reinforced technopolymer.
- Hubs made of die-cast aluminum.
- Fans dynamically balanced in accordance with **ISO 14694 Grade G6.3**.
- **Nozzle made of technopolymer**, easy to clean and not subject to corrosion.
- **High-efficiency single-phase brushless EC motors**, 220/277V/50-60Hz, IP55, equipped with built-in control electronics and EMC filters, adjustable speed and suitable for S1 continuous duty.

FEATURES AND BENEFITS

- Prevents thermal stress by increasing sensible heat loss by removing the layer of warm air surrounding the occupants' body.
- Forced relief ventilation unit ideal for in-line installation on feed aisles in cattle barns and rest/waiting area.
- No gears and aerodynamic design for absolute quietness.
- No routine maintenance required.
- Frame made entirely of galvanized steel to ensure long service life and strength.
- Angle of fan keying to guarantee maximum performance.
- Eyebolt hooks to simplify suspended installation and inclined mounting.
- Built-in EMC filters to prevent possible electromagnetic interference with other devices.
- Fan suitable for operation in temperatures from -20°C to +50°C.
- Unit is tested in accordance with the latest standards to ensure maximum reliability of electrical safety, performance and sound level data.
- Designed and manufactured in compliance with the Machinery Directive (MD), the Low Voltage Directive (LVD), the Electromagnetic Compatibility Directive (EMC) and Regulation 327/2011 (ErP Directive).



Dimensions



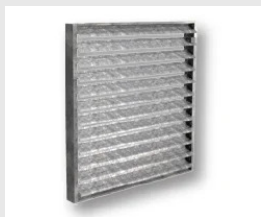
Code	A mm	B mm	C mm	D mm	E mm	H mm	Ø F mm
SE●AI4000000000	1382	1382	1190	1200	210	2700	270

Technical Data

Code	Diameter mm	Power W	Nominal flow rate m ³ / h	Weight kg	Minimum air speed m/s	Q max mc/h	Rotational speed rpm
SE●AI4000000000	1170	1400	34917	52	5.8 (2 min) ; 2.5 (10 min)	34517	500



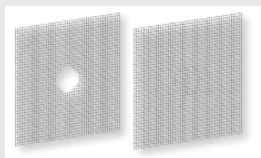
Accessories



Damper with actuator for wall installation

SERRATTUAT15000

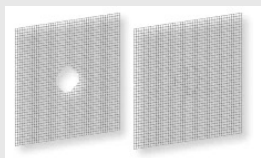
Damper with actuator for wall installation: motorized in **galvanized steel** for strength.



Anti-volatile net

RETEANTIV000000

Stainless steel mesh to prevent birds or other animals from crossing the fan.



Safety net

RETESICUR000000

Stainless steel safety net to protect against accidental contact with moving motor parts.



Potentiometer equipped with a bipolar ON/OFF switch

POTINTBIP000000

Remote potentiometer with front knob for manual adjustment of fan speed provided with two-pole switch (ON/OFF) and yellow front LED.



Potentiometer equipped with two bipolar ON/OFF switches

POTINTBIP200000

Remote potentiometer with front knob for manual adjustment of fan speed.





Control panel with anemometer and probe for temperature measurement

PNCANEMSND00000

Controller to control ventilation units according to the degree of temperature and wind speed.



Control panel with temperature probe included and humidity probe on request

PNCSNDUMID00000

Controller to control ventilation units according to temperature degree and THI level.



Related products



SE● axial panel fans

SEQ000000000000

Axial wall-mounted **fans** are ideal exhaust fans for applications where high air flow rates and installation with wall or panel mounting are needed. For example: ventilation of warehouses, gymnasiums, factories, parking lots, farms, cooling of electrical equipment, refrigeration equipment, etc.

