

HRV160 wall-mounted fume extractor with rigid tube arm and fan

🔧 Sectors [Welding](#), [Powder blowing](#),

🔧 Applications: [Fix](#)

🔧 Issues [Fumes](#), [Powders](#)

COD: HRV1600000000000

The HRV160 self-supporting articulated suction arm is the ideal solution to capture fumes, gases and micro-dust as close as possible to the operator, as required by safety regulations.



Detailed description

The HRV160 series suction arms, thanks to the two external pantographs, can be moved smoothly and lightly in all directions and maintain the desired position for maximum working comfort. Stability and precision are ensured by the plastic spring and clutch system.

With powerful and concentrated suction near the hood, the respiratory tract is protected from fumes and dust from welding, grinding and other professional work.

The fume hood is made of plastic material and easy to position thanks to the convenient ergonomic handle.

Exhaust fan: YES / to be connected to circular section exhaust piping.

Advantages

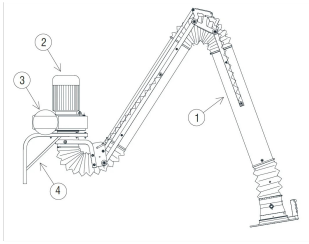
- integrated aspirator no plant needed
- stability thanks to double pantograph
- rigid pipes so no components immersed in the sucked fluid
- minimal pressure drop
- simple installation

Installation: wall mounted

Integrated suction unit: YES / to be connected to circular section exhaust piping

Maximum operating temperature: 60°C



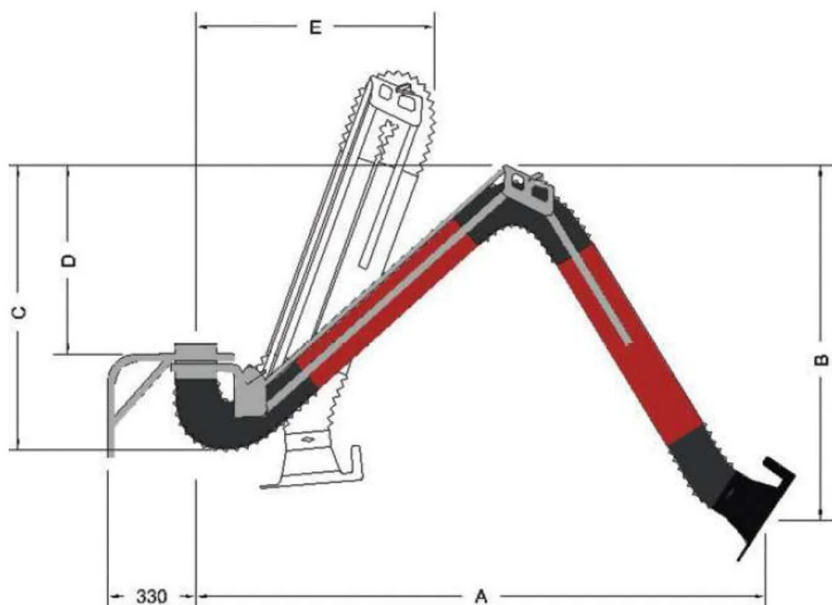


Structure

- hRM160 arm (1)
- aspirators (2) complete with square-round reduction (3)
- bracket (4)



Dimensions



Measures

Code	A mm	B mm	C mm	D mm	E mm
HRV160200000000	2168	1201	903	568	729
HRV160300000000	3168	1701	1373	1038	900
HRV160400000000	4168	2201	1843	1508	1071



Technical Data

Code	Nominal flow rate m ³ / h	Arm length meters	Pipe diameter mm
HRV160200000000	1250	2	160
HRV160300000000	1250	3	160
HRV160400000000	1250	4	160



Accessories



EHRM 160mm extension

EHRM16000000000

Welded steel extension with wall bracket for wall-mounted suction arms.

