

Rectangular plastic arm hood diam. 200mm

- 🔧 Sectors [Welding, Grinding, Sanding, Painting,](#)
[Plant Components,](#)
- 🔧 Applications: [Fix](#)
- 🔧 Issues [Fumes, Odours, VOC fumes, Powders](#)



COD:

CAPPARETBR00000

The MAXIRET hood, thanks to its size and louvers, functions as a suction wall for efficient capture of pollutants over large areas.

Detailed description

The MAXIRET hood is configured as a suction wall and, thanks to its dimensions, allows optimal capture even over large surfaces.

Suction is through the three horizontal slots located on the hood wall, which, thanks to its inclination toward the source of the pollutant, allows it to capture even fumes with slower ascent.

Made of aluminum, it is equipped with a handle and calibration damper to balance the suction.

Available in variants: antistatic, Aisi 316 stainless steel and Atex compatible





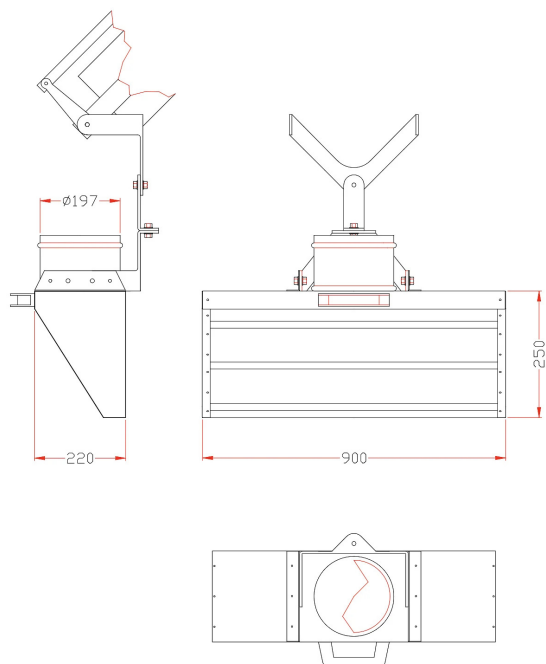
MAXIRET hood on 200mm arm



MAXIRET hood on arm without extractor



Dimensions



Code	L mm	Ø mm
CAPPARETBR12500	400	125
CAPPARETBR16000	600	160
CAPPARETBR20000	900	200

Technical Data

Code	Length
CAPPARETBR12500	400mm
CAPPARETBR16000	600mm
CAPPARETBR20000	900mm



Accessories



Plastic arm hood diam. 160

CAPPABR160PL000

High-efficiency plastic hood with rotating screen and built-in handle;
For HRM-HRV suction arms.
On request with integrated calibration damper.



Conical truncated hood in metal

CAPPATRNCNMT000

Metal hood of truncated cone shape, equipped with rotating screen and built-in handle.
For HRM-HRV suction arms.
On request with built-in calibration damper.



Related products



Self-supporting wall-mounted suction arm PRM PRO series

PRM000000000000

The **self-supporting articulated suction arm PRM PRO series** is the professional version of the Secureair® suction arms, equipped with 4 robust pantographs, the ideal solution for capturing fumes, gases and micro-dust as close as possible to the operator, as required by safety regulations.



PRV PRO wall-mounted fume exhauster with rigid tube arm and fan

PRV000000000000

The **PRV PRO self-supporting articulated suction arm** is the professional series of rigid tube arms, with the possibility of additional diameters compared to the HRV160 model and, above all, equipped with a quadruple pantograph for guaranteed stability over time.

