

# SBP suction bench for blow moulding dry parts

🔧 Sectors **Welding, Powder blowing, Grinding,**

🔧 Applications: **Fix**

🔧 Issues **Powders**

COD: SBP000000000000



The **SBP vacuum bench** is to be used to remove dust generated during cleaning and blowing parts with compressed air to prevent it from being breathed in by operators and polluting the work environment, as it is very volatile.

## Detailed description

Cartridge filtration with pneumatic cleaning, guarantees the operation of the dust collector without the need to replace filters often and **provides 99% filtration efficiency** even in the heaviest applications. This system complies with the BAT regulations of the Lombardy region sheet D.MF.02 being a dry dust collector.

In addition, if equipped with wheels for handling and silencer for exhausting air into the environment it becomes a **very flexible tool in production**, completely independent without having to connect a chimney for expulsion to the atmosphere.

### Structure

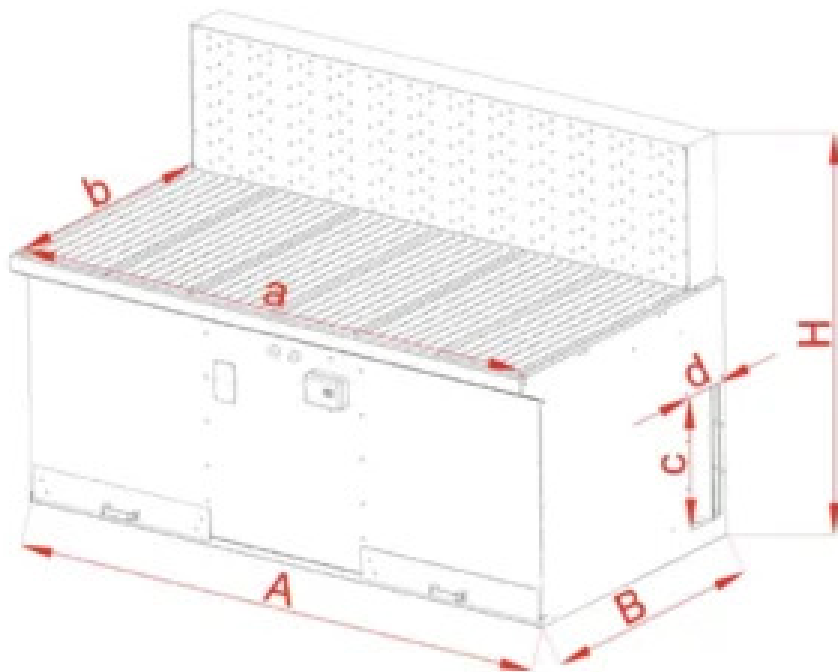
- The suction bench for sanding and grinding is made of modular panels constructed of strong press-bent galvanized sheet metal bolted together.
- Adjustable feet (or wheels on request)
- Fan located inside the bench structure, designed for the type of use required. The impeller has steel backward blades and is inserted into the bench directly coupled to the motor.
- Turning the ventilation on and off is controlled by a thermal-magnetic on/off switch located on the side of the bench.
- On the side of the machine body, the hole for exhausting the filtered air is made with an outlet of rectangular section in order to connect the exhaust piping. On request: suction connection for connecting the bench to the centralized system.
- The supporting and working surface is made with reinforced structure and side uprights outside the bench to discharge the weight to the floor
- Front suction wall constructed of prime galvanized sheet metal structure and adequate thickness.
- Collection drawers made of press-folded galvanized sheet metal for collecting larger slag and accidentally dropped objects.
- The filter section consists of cartridge filters with pneumatic cleaning, suitable for the heaviest applications.

This version is equipped with a **special closed casing** positioned on the side of the suction table, inside which it is possible to blow with greater energy while keeping the dust inside the machinery.

The suction bench is **ready to use**, and there is no need to connect it to external suction systems, fans or filters, nor to make complex electrical connections, as it is complete with an electrical panel with an electronic filter monitoring unit. Pneumatic connection includes a pressure gauge as standard.



## Dimensions



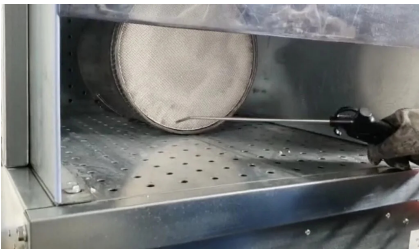
Code	A mm	a mm	B mm	b mm	c mm	d mm	H mm	h mm
SBP000000000000	2000	1930	1100	950	450	160	1400	870

## Technical Data

Code	Power kW	Nominal flow rate m <sup>3</sup> / h	Noise Db (A)	Filter surface area m <sup>2</sup>	Filtering efficiency %	LCD Display	Power supply V	Power supply Hz	Cartridges num.
SBP000000000000	2.2	3300	73	40	> 99%	you	220	50	4



## Photogallery



## Accessories



### Wheel kit for SB screeds

KITRUOTESB00000

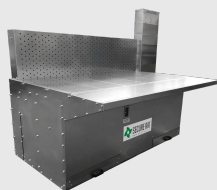
Turn your SBV bench into a mobile workstation with the brake wheel kit.



### Pair of non-suction side bulkheads for SB benches

PLSB000000000000

Pair of non-suction side plates compatible with all SB benches.



### Non-suction front extension for SB benches all

PFNASBT000000000

Non-suction front extension, made of sturdy galvanized steel compatible with all SECUREAIR® suction benches.



### Wheel kit for SB benches

KITRUOTESB00000

Transforms the SBV bench into a mobile workstation thanks to the wheel kit with brake.



## Related products



### SBC suction bench with fan and self-cleaning filters

SBC0000000000000

The **SBC suction bench** is available in 4 different sizes ranging from 1 to 3 meters. Designed to suck fumes and dust during professional operations that produce emissions dangerous for operators and the working environment as very volatile. This version is suitable for intensive use thanks to **cartridge filters with compressed air cleaning**, which ensure the restoration of maximum filtration efficiency at the end of the cycle and a long life in times.

