

# AFPX ATEX axial fans on panel

🔗 Sectors **Ventilation,**

🔗 Applications: **Fix**

🔗 Issues **Odours, VOC fumes**

COD: AFPX000000000000



AFPX series panel-mounted axial fans with three-phase motor are ATEX certified and are available in a wide range of models developed to provide a wide range of performance and are the ideal solution for ventilation of explosion-hazardous rooms such as forklift battery charging areas, paint storage areas or other flammable chemicals.

## Detailed description

### Construction

AFPX fans in suction version include:

- Square panel with low-profile conveyor made of unpainted aluminum
- Motor with ATEX-certified aluminum body and shields
- Motor support made of accident-prevention mesh painted with RAL 9005 black epoxy powder with corrosion resistance class
- C5M
- Aluminum six-blade impeller and galvanized steel spoke
- Steel wire motor-side accident-prevention mesh protected against weathering, made according to UNI EN 294 standard
- Static and dynamic balancing according to UNI/ISO 1940/BS 6861 - 1 standard
- Air flow from motor to impeller
- Three-phase supply voltage: Volts 400 Hz 50/60

### Superior quality

100% made in Italy - CE certification according to dir. machines - user's manual in Italian - Italian warranty

### Normative references:

- Standard UNI EN 1127-1: Explosive atmospheres. Explosion prevention and protection. Basic concepts and methodology
- Standard CEI EN 31-30 (EN 60079-10) - classification of hazardous places et seq.

These fans are for professional use, characterized by versatility and quality in the materials used. The fan includes a strong cast aluminum hub for attaching the blades, which are profiled by molding different materials, always aiming to withstand high working loads. The motor is built following international standards thus ensuring reliability and long term.

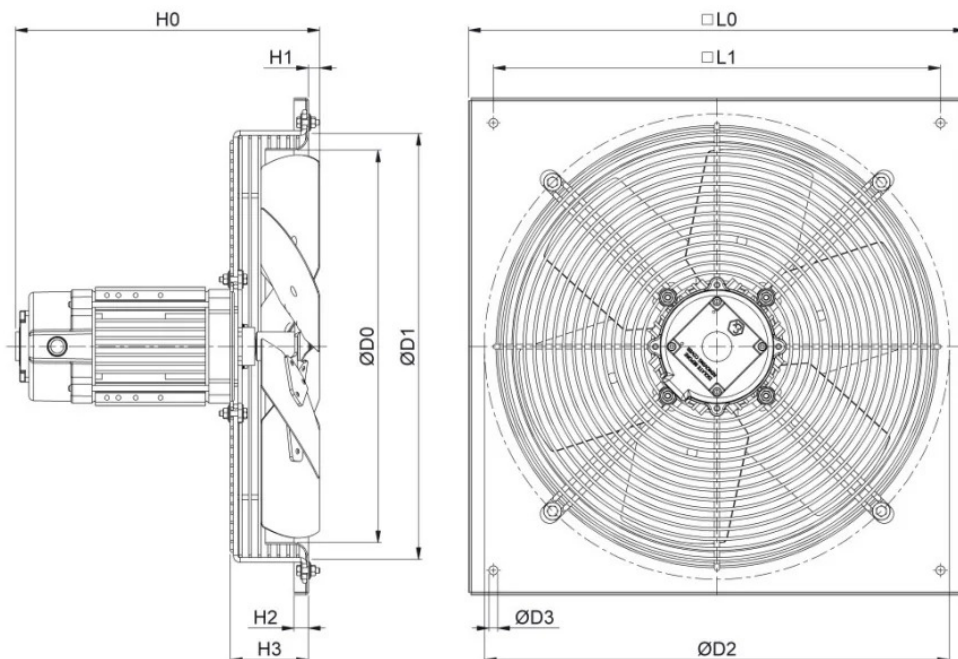




II 2G Ex-d IIC T4 Gb



## Dimensions



Code	L0 mm	L1 mm	ØD0 mm	ØD1 mm	ØD2 mm	H0 mm	H1 mm	H2 mm	H3 mm	H4 mm	Motore chassis mm	Impeller Ø mm	ØD3 mm
AFPX0254T000000	350	300	255	285	305	298	41	35	60	15	56	250	9
AFPX0314T000000	400	350	317	348	365	298	41	40	60	15	56	310	9
AFPX0354T000000	450	400	356	390	415	335	51	40	60	15	63	350	9
AFPX0404T000000	500	450	410	445	468	334	48	45	60	15	71	400	9
AFPX0454T000000	550	500	451	478	515	345	52	45	100	15	71	450	9
AFPX0504T000000	600	550	503	530	565	339	46	45	100	15	71	500	9
AFPX0202T000000	300	250	203	225	245	293	36	30	60	15	56	200	9
AFPX0252T000000	350	300	255	285	305	333	48	35	60	15	63	250	9
AFPX0312T000000	400	350	317	348	365	334	47	40	60	15	71	310	9
AFPX0406T000000	500	450	410	445	468	334	50	45	60	15	63	400	9
AFPX0456T000000	550	500	451	478	515	345	52	45	100	15	71	450	9
AFPX0506T000000	600	550	503	530	565	353	60	45	100	15	71	500	9
AFPX0566T000000	680	630	559	597	700	347	54	45	100	15	71	560	9
AFPX0636T000000	730	680	634	673	750	343	51	50	100	15	71	630	9
AFPX0568T000000	680	630	559	597	700	353	60	45	100	15	71	560	9
AFPX0638T000000	730	680	634	673	750	349	56	50	100	15	71	630	9



## Technical Data

Code	Power kW	Useful pressure Pa	Weight kg	Operating temperature °C	Power supply V	Power supply Hz	ATEX protection	Q max mc/h	Frame
AFPX0254T000000	0,09	40	6.7	-40 + 60	3~400 Y	50	Exd IIC 2G T4	1025	56
AFPX0314T000000	0,09	62	7	-40 + 60	3~400 Y	50	Exd IIC 2G T4	1950	56
AFPX0354T000000	0,23	82	10.7	-40 + 60	3~400 Y	50	Exd IIC 2G T4	2930	63
AFPX0404T000000	0,50	108	12.2	-40 + 60	3~400 Y	50	Exd IIC 2G T4	4200	71
AFPX0454T000000	0,65	131	13	-40 + 60	3~400 Y	50	Exd IIC 2G T4	5900	71
AFPX0504T000000	0,65	164	14	-40 + 60	3~400 Y	50	Exd IIC 2G T4	5800	71
AFPX0202T000000	0,14	104	6.3	-40 + 60	3~400 Y	50	Exd IIC 2G T4	925	56
AFPX0252T000000	0,30	162	9.2	-40 + 60	3~400 Y	50	Exd IIC 2G T4	2750	63
AFPX0312T000000	0,88	267	10.5	-40 + 60	3~400 Y	50	Exd IIC 2G T4	4020	71
AFPX0406T000000	0,27	44	11	-40 + 60	3~400 Y	50	Exd IIC 2G T4	2790	63
AFPX0456T000000	0,39	56	13	-40 + 60	3~400 Y	50	Exd IIC 2G T4	3890	71
AFPX0506T000000	0,50	68	14	-40 + 60	3~400 Y	50	Exd IIC 2G T4	5400	71
AFPX0566T000000	0,50	86	16	-40 + 60	3~400 Y	50	Exd IIC 2G T4	6800	71
AFPX0636T000000	0,50	104	17	-40 + 60	3~400 Y	50	Exd IIC 2G T4	6830	71
AFPX0568T000000	0,31	50	16	-40 + 60	3~400 Y	50	Exd IIC 2G T4	5800	71
AFPX0638T000000	0,31	57	17	-40 + 60	3~400 Y	50	Exd IIC 2G T4	5200	71



## Photogallery

