

# FVS mobile smoke and dust extractor for forced ventilation

🔗 Sectors [Ventilation](#),

🔗 Applications: [Mobile](#)

🔗 Issues [Fumes](#)

COD: FVS0000000000000

The **FVS portable centrifugal fan on a trolley** is designed for forced safety ventilation in confined spaces or extraction of pollutants produced during professional work in a specific work area.

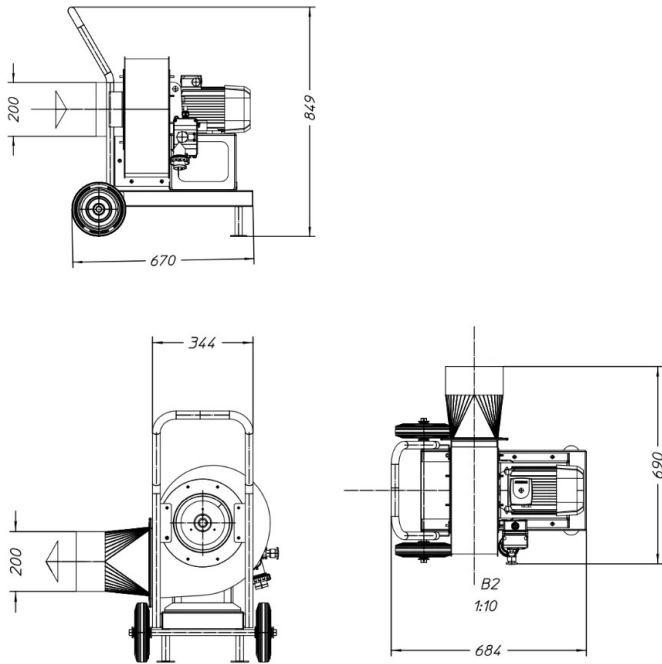
## Detailed description

The FVS trolley-mounted portable centrifugal fan is composed of a structure **without plastic parts** and is especially robust to meet durability requirements on construction sites and during extreme use:

- centrifugal fan with high-efficiency impeller
- copper anti-spark nozzle on sucked air inlets
- italian brand electric motor power 2.2kW/220V/single phase
- connections for flexible hoses diam. 200mm
- no. 7 + 7 mt of reinforced PVC coated polyamide hose diam. 200mm with clamping belts
- electrical panel with motor protection device and single-phase power outlet
- sturdy painted steel trolley for convenient handling with handles and no.2 rubberized wheels



## Dimensions



ATEX versions or longer pipes are available on request, please contact our Technical Department for more information.

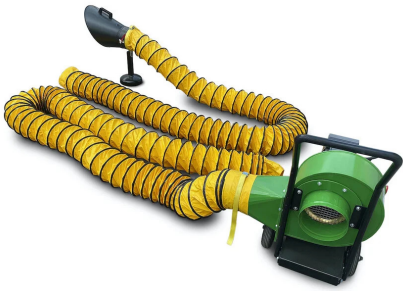
Code	A mm	B mm	H mm
FVS000000000000	670	690	849

## Technical Data

Code	Power kW	Nominal flow rate m <sup>3</sup> / h	Useful pressure Pa	Noise Db (A)	Weight kg	Noise level dB	Motor	Pipe Ø mm	Flex tube	Flex tube length	Standard hood
FVS000000000000	2.2kW/220V/single-phase	1500	1400	75	52	75 dB(A) at 1.5 m in free field (ducted)	Electric	200	pVC-reinforced polyamide	mt 7 (in) + 7 (out)	painted steel with floor support and handle



## Photogallery



## Related products



### SVM industrial centrifugal fans

SVM0000000000000

Industrial centrifugal fans with backward-bladed impeller SVM series



### SVR industrial centrifugal fans

SVR0000000000000

Industrial centrifugal fans with backward-bladed impeller SVR series



### SVF industrial centrifugal fans

SVF0000000000000

Industrial centrifugal fans with backward-bladed impeller SVF series

