

# SEQA1400 High Flow Axial Fan

🔗 Sectors [Ventilation](#),

🔗 Applications: [Fix](#)

🔗 Issues [Heat](#), [Fumes](#)



COD: SEQA14000000000

High-flow axial fans suitable for wall or overhead installation to **create a uniform indoor climate and recirculate air in commercial and industrial buildings, farms, barns, and greenhouses.**

## Detailed description

### CONSTRUCTION

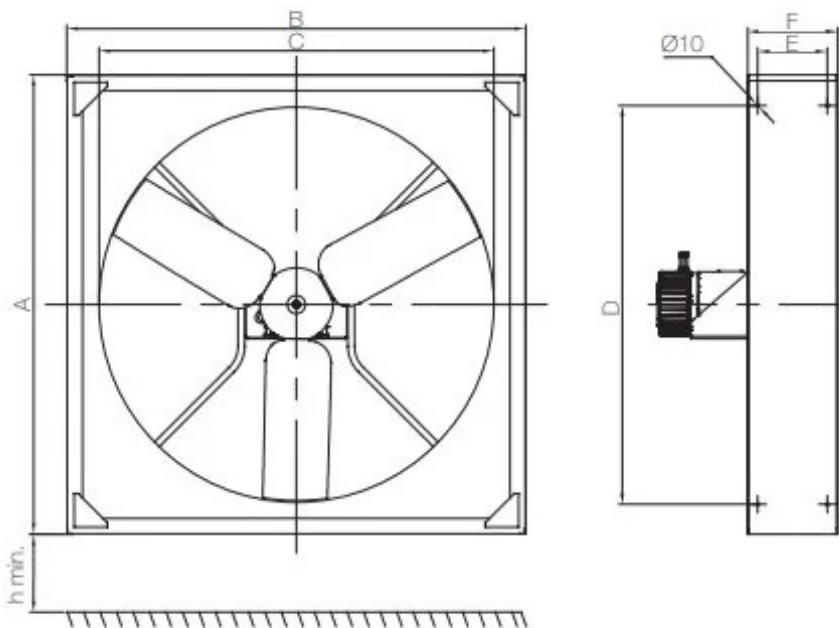
- Galvanized steel frame.
- Fans with **variable pitch angle** equipped with blades made of fiberglass-reinforced technopolymer.
- Hubs made of die-cast aluminum.
- Fans dynamically balanced in accordance with **ISO 14694 Grade G6.3**.
- **Nozzle made of technopolymer**, easy to clean and not subject to corrosion.
- **High-efficiency single-phase brushless EC motors**, 220/277V/50-60Hz, IP55, equipped with built-in control electronics and EMC filters, adjustable speed and suitable for S1 continuous duty.

### FEATURES AND BENEFITS

- Prevents thermal stress by increasing sensible heat loss by removing the layer of warm air surrounding the occupants' body.
- Forced relief ventilation unit ideal for in-line installation on feed aisles in cattle barns and rest/waiting area.
- No gears and aerodynamic design for absolute quietness.
- No routine maintenance required.
- Frame made entirely of galvanized steel to ensure long service life and strength.
- Angle of fan keying to guarantee maximum performance.
- Eyebolt hooks to simplify suspended installation and inclined mounting.
- Built-in EMC filters to prevent possible electromagnetic interference with other devices.
- Fan suitable for operation in temperatures from -20°C to +50°C.
- Unit is tested in accordance with the latest standards to ensure maximum reliability of electrical safety, performance and sound level data.
- Designed and manufactured in compliance with the Machinery Directive (MD), the Low Voltage Directive (LVD), the Electromagnetic Compatibility Directive (EMC) and Regulation 327/2011 (ErP Directive).



## Dimensions



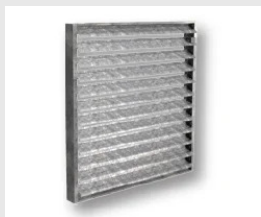
Code	A mm	B mm	C mm	D mm	E mm	H mm	Ø F mm
SE●AI4000000000	1382	1382	1190	1200	210	2700	270

## Technical Data

Code	Diameter mm	Power W	Nominal flow rate m <sup>3</sup> / h	Weight kg	Minimum air speed m/s	Q max mc/h	Rotational speed rpm
SE●AI4000000000	1170	1400	34917	52	5.8 (2 min) ; 2.5 (10 min)	34517	500



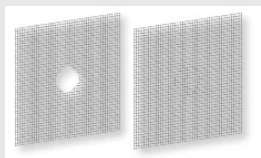
## Accessories



### Damper with actuator for wall installation

SERRATTUAT15000

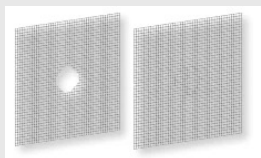
Damper with actuator for wall installation: motorized in **galvanized steel** for strength.



### Anti-volatile net

RETEANTIV000000

Stainless steel mesh to prevent birds or other animals from crossing the fan.



### Safety net

RETESICUR000000

Stainless steel safety net to protect against accidental contact with moving motor parts.



### Potentiometer equipped with a bipolar ON/OFF switch

POTINTBIP000000

Remote potentiometer with front knob for manual adjustment of fan speed provided with two-pole switch (ON/OFF) and yellow front LED.



### Potentiometer equipped with two bipolar ON/OFF switches

POTINTBIP200000

Remote potentiometer with front knob for manual adjustment of fan speed.





### Control panel with anemometer and probe for temperature measurement

PNCANEMSND00000

Controller to control ventilation units according to the degree of temperature and wind speed.



### Control panel with temperature probe included and humidity probe on request

PNCSNDUMID00000

Controller to control ventilation units according to temperature degree and THI level.



## Related products



### SE● axial panel fans

SEQ000000000000

**Axial** wall-mounted **fans** are ideal exhaust fans for applications where high air flow rates and installation with wall or panel mounting are needed. For example: ventilation of warehouses, gymnasiums, factories, parking lots, farms, cooling of electrical equipment, refrigeration equipment, etc.

