

MFPHV mini suction cabin with HEPA filters and wheels

📌 Sectors

📌 Applications: **Fix**, **Mobile**

COD:

MFPHV0000000000



The **MFPHV mini suction booth** is a true **mobile suction station**, usually used for operations that require a comfortable table top and produce micro-dust to be vacuumed and filtered, so as to protect the operator's respiratory tract and prevent pollutants from leaking into the environment. Thanks to its wheels, it is very easy to move within the production area for maximum operational flexibility. The mini vacuum cabin requires no special installation and is ready to use because it is equipped with an **aspirator, integrated filters and on/off switch** already installed on board on the right side (or left on request). The machine is supplied with regular **CE marking and certification**.

Detailed description

The structure of the **MFPHV mini suction booth** is completely made of sturdy, high-grade galvanized sheet metal, with panels and profiles gasketed with silicone sealants and bolted together with high-strength bolts.

Due to its design, the suction booth forms a suction workstation on legs with a sloping suction front: this solution is designed so as to optimize suction over the entire front working surface.

The filter section of the **MFPH** model consists of three stages:

- Sturdy cardboard with offset holes "Andreae Patent" housed in special guides and fixed laterally with screw-on paper retainers that make replacement very easy.
- Flat filters with progressive density glass fiber filter media with 200 g/m² grammage and 50 mm thickness.
- HEPA H13 ejector filter with filtration efficiency 99.9% to stop micro dusts

Integrated **electric extractor** is located at the top of the cabin, complete with and high-efficiency impeller carefully statically and dynamically balanced to be vibration-free.

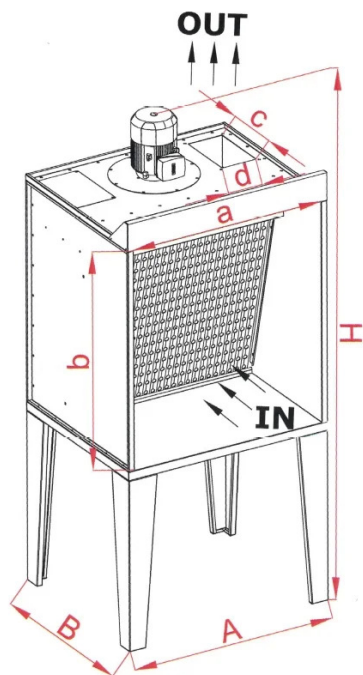
Standard air outlet on right side, circular fitting on request.

On request it can be completed with led lighting, painted or stainless steel structure, turntable for working on workpieces and air outlet fittings.

Standard three-phase voltage 400/3/50, single-phase 220/1/50 on request.



Dimensions



Code	A mm	a mm	B mm	b mm	C mm	c mm	d mm
MFPHV100000000M	1050	900	900	900	2250	300	180
MFPHV100000000T	1050	900	900	900	2250	300	180
MFPV150000000M	1500	1400	900	900	2250	300	180
MFPHV150000000T	1500	1400	900	900	2250	300	180
MFPHV180000000M	1800	1740	900	900	2250	300	180
MFP18HV0000000T	1800	1740	900	900	2250	300	180

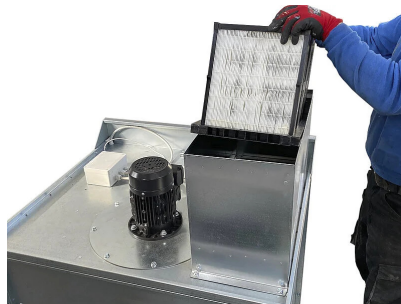


Technical Data

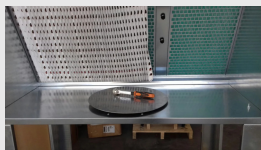
Code	Nominal flow rate m ³ / h	Useful pressure Pa	Motor	Pipe diameter mm
MFPHV100000000M	1800	300	0.75 - 400/3/50 kW	200
MFPHV100000000T	1800	300	0.75 - 400/3/50 kW	200
MFPV150000000M	2600	300	1.1 - 400/3/50 kW	250
MFPHV150000000T	2600	300	1.1 - 400/3/50 kW	250
MFPHV180000000M	3600	300	1.1 - 400/3/50 kW	300
MFP18HV0000000T	3600	300	1.1 - 400/3/50 kW	300



Photogallery



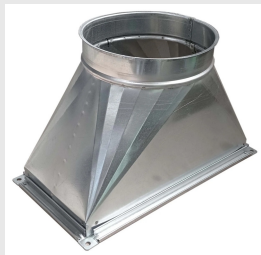
Accessories



Rotating plate for mini-cab MFP

MFPPIATTO000000

Manual turntable for mini MFP cabins.
Compatible with **all** MFP series mini cabins.



Exhaust pipe connection for mini MFP cabin

MFPRACSCA000000

Exhaust pipe connection fitting for MFP mini cabin: supplied with drilled flange and hardware for cab roof mounting.
Available for MFP10-15-18 mini cabin.



LED lighting kit for mini MFP booths

MFPKITLED000000

LED lighting kit for mini MFP booths: thanks to the LED bar positioned above the work surface, safe operation is possible.



ATEX pack for mini MFP 10-15-18 booths

MFPKITEX000000

Extra kit for mini cabins in 400/3/50 three-phase version, allows use with solvents or fluids with potential explosion hazards.



Spare parts



Replacement filter stage 1 mini cab MFP

Stage 1 replacement filter pack for MFP series mini cabs.



Replacement filter stage 2 mini cab MFP

Roll with 20 meters of stage 2 flat filter for MFP series mini cabins.



Related products



MFP Mini suction cabin with filters and extractor

MFP000000000000

The **mini MFP booth** is a true suction station with a convenient table top, usually used for small painting, gluing, nondestructive testing or other tasks that require a table top and safety ventilation provided by the suction front positioned in front of the operator so as to protect the respiratory tract.

