

DFC11BR3M fumes and dust extractor with self-cleaning filters and arm

📌 Sectors [Welding, Sanding, Grinding, Powder blowing,](#)

📌 Applications: [Mobile](#)

📌 Issues [Powders](#)



COD: DFC11BR3M000000

The DFC mobile wheeled fume and dust extractor is designed for the extraction and filtration of even very fine and volatile fumes and micro-dust generated during surface treatment processes of metals or composite materials.



Detailed description

The DFC mobile wheeled fume and dust extractor is designed for the extraction and filtration of even very fine and volatile fumes and micro-dust generated during surface treatment processes of metals or composite materials:

- Welding
- Grinding
- Deburring
- Sanding
- Rolling
- Cutting

Thanks to its compact size, wheels and handles, it can be easily moved to the vicinity of the work to be done and then suck up the fumes using its rigid hose.

ADVANTAGES

- Fast suction of fumes and dust near the source due to its high flow rate
- Mobile: allows a variety of welding spots to be reached
- Dust and swarf collection drawer positioned on the pass part of the machine, on request with nylon bag
- Filtration with polyester or antistatic cartridge filter $\geq 99\%$
- Automatic filter cleaning with compressed air flushing for maximum energy savings and long life of filter elements
- 1100W single-phase power can be connected anywhere with a simple industrial outlet
- Low maintenance due to automatic filter cleaning

TECHNICAL SPECIFICATIONS

- Sturdy galvanized sheet metal construction;
- 20sqm filter surface with polyester/antistatic polyester cartridges;
- Automatic cleaning by compressed air;
- Built-in 1.1 single-phase fan;
- Handy collection drawer;
- Suction on/off switch;
- Adjustable filter cleaning timer;
- Single-phase electrical plug;
- Handles for easy handling.

CONSTRUCTION

- Compact and easy-to-handle structure;
- Cartridge filtration with 99% efficiency and re-introduction of air into the room;
- Automatic compressed air filter cleaning with on-board connection and condensate drain
- On-board panel with single-phase plug ready to use;
- Red self-supporting rigid arm of mt 3 diam. 160mm with high capacity fume hood and handle for easy positioning.





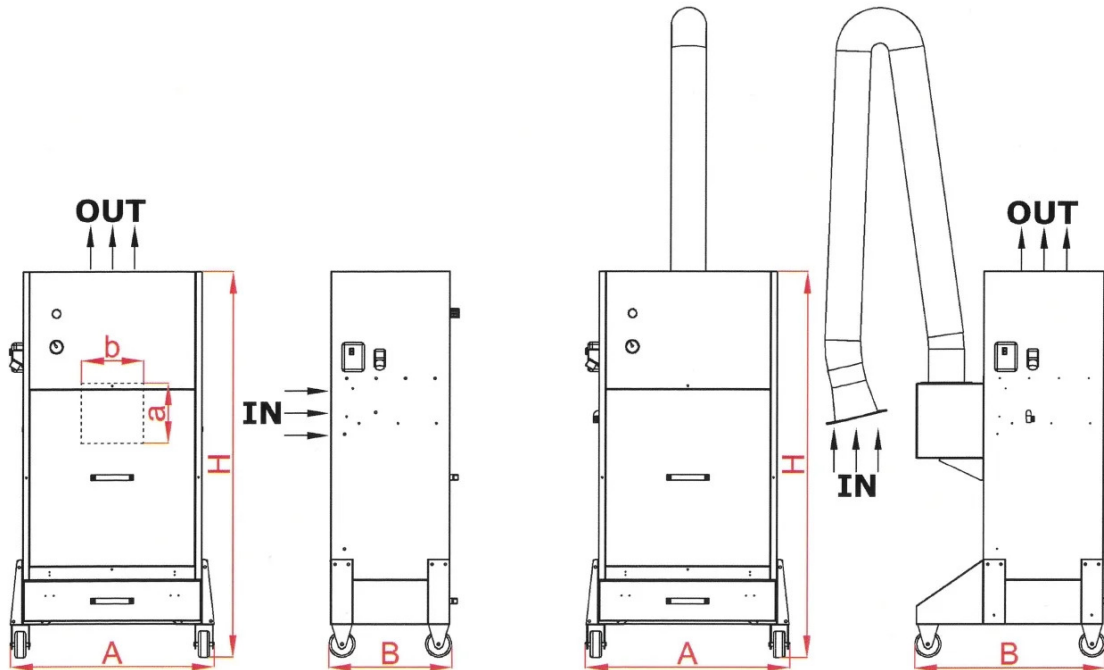
Advantages of buying with operational leasing in 12/24/36 or 48 convenient instalments

- No advance payment, no pro-rata.
- First fee in about 30 days from the purchase
- Fully deducts the fees for IRES purposes without obligations deriving from the minimum duration of the contract expected by the T.U.
- Fully deducts the fees for IRAP without distinction between assets and interests.
- Basilea Advantage 2: thanks to the rental, the good used is "out-of-asset", so it does not need a correspondent asset.
- All Risk insurance is included in the fees to cover possible claims.
- Fixed rate for all the operations.

Partner *BCC Lease*



Dimensions



Code	Drawer L	A mm	a mm	B mm	b mm	C mm	D mm	H mm	H1 mm	Ø mm
DFC11BR3M000000	70	810	270	540	280	920	870	1750	2650	160

Technical Data

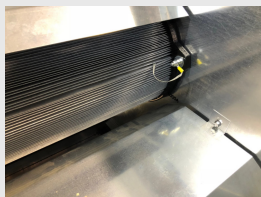
Code	Power kW	Nominal flow rate m ³ / h	Useful pressure Pa	Noise Db (A)	Filter surface area m ²	Filtering efficiency %	Arm length meters	Cartridges num.	Cartridge type	Drawers (size) L	Arm diameter mm
DFC11BR3M000000	1,1 - 220V	2000	1000	79	20	99%	3	2	Polyester or antistatic	40	160



Photogallery



Accessories



Replacement filter kit for antistatic cartridges for DFC11

KITCARTPADFC110

Replacement filter kit for installation of antistatic cartridges on DFC11 purifiers



Triple attachment d100mm for DFC

3X100ASPMFC1100

Triple suction connection diam. 100 mm for DFC11



Hopper and dust collection container kit for DFC11 purifier

TRAMCONTDFC0000

Hopper and dust collection container kit for DFC11 purifier.



Antistatic filter kit for dust and fume extractor

DFC11FILKITA000

Kit consisting of No. 2 polyester antistatic filter cartridges for DFC dust and fume extractor.



Spare parts



Replacement cartridge kit for DFC11

Original replacement: no.1 pair of polyester cartridges for DFC11



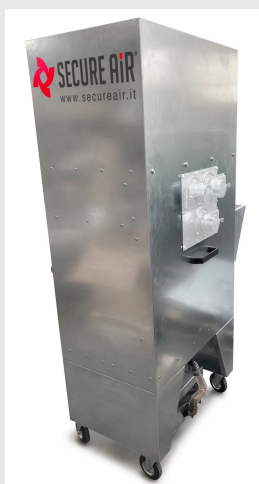
Related products



Dust extractor DFC11NBTX with self-cleaning filters

DFC11NBTX000000

The DFC series wheeled fume and dust extractor is designed for the extraction and filtration of even very fine and volatile fumes and micro-dust generated during surface treatment processes of metals or composite materials.



DFC11NBM dust extractor with self-cleaning filters without arm

DFC11NBM000000

The DFC series wheeled fumes and dust extractor is designed for the extraction and filtration of fumes and micro-dust, even very fine and volatile dust generated during surface treatment processes of metals or composite materials.



DFC11BF3M smoke and dust extractor with self-cleaning filters and 3m superFLEX arm

DFC11BF3M000000

The DFC mobile wheeled fume and dust extractor is designed for the extraction and filtration of even very fine and volatile fumes and micro-dust generated during surface treatment processes of metals or composite materials.

