

# DFC11BF3M smoke and dust extractor with self-cleaning filters and 3m superFLEX arm



📌 Sectors [Welding, Grinding, Sanding, Powder blowing,](#)

📌 Applications: [Mobile](#)

📌 Issues [Powders](#)

COD: DFC11BF3M000000

The **DFC mobile wheeled fume and dust extract** or is designed for the extraction and filtration of even very fine and volatile fumes and micro-dust generated during surface treatment processes of metals or composite materials.



## Detailed description

The **DFC mobile wheeled fume and dust extract** or is designed for the extraction and filtration of even very fine and volatile fumes and micro-dust generated during surface treatment processes of metals or composite materials:

- Welding
- Grinding
- Deburring
- Sanding
- Rolling
- Cutting

With its compact size, wheels and handles, it can be easily moved close to the work to be done to suck up fumes through its flexible hose.

### ADVANTAGES

- Fast suction of fumes and dust near the source due to its high flow rate
- Mobile: allows you to reach different welding spots
- Dust and swarf collection tray located on the pass part of the machine, with nylon bag on request
- Filtration with polyester or antistatic cartridge filter  $\geq 99\%$
- Automatic filter cleaning with compressed air flushing for maximum energy savings and long life of filter elements
- 1100W single-phase power can be connected anywhere with a simple industrial outlet
- Low maintenance due to automatic filter cleaning

### TECHNICAL SPECIFICATIONS

- Sturdy galvanized sheet metal construction;
- 20 sq m filter surface with polyester/antistatic polyester cartridges;
- Automatic cleaning by compressed air;
- Built-in 1.1 single-phase fan;
- Handy collection drawer;
- Suction on/off switch;
- Adjustable filter cleaning timer;
- Single-phase electrical plug;
- Handles for easy handling.

### CONSTRUCTION

- Compact and easy-to-handle structure;
- Cartridge filtration with 99% efficiency and re-introduction of air into the room;
- Automatic compressed air filter cleaning with on-board connection and condensate drain
- On-board panel with single-phase plug ready to use;
- Self-supporting black superflex arm of mt 3 diam. 160mm with high-capacity fume hood and handle for easy positioning





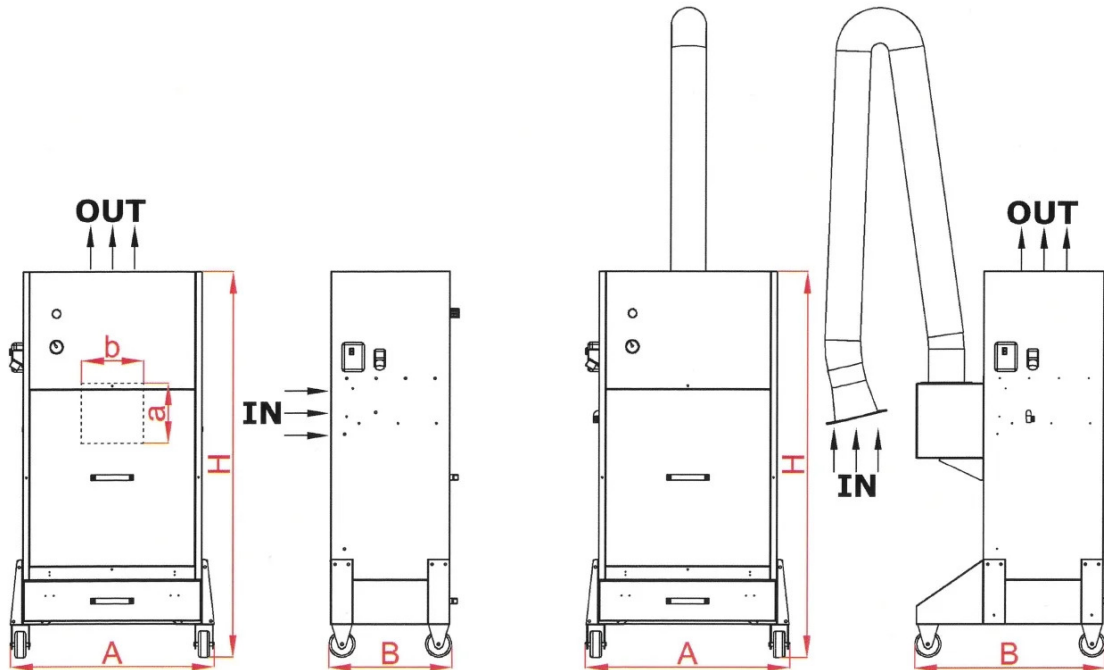
### Advantages of buying with operational leasing in 12/24/36 or 48 convenient instalments

- No advance payment, no pro-rata.
- First fee in about 30 days from the purchase
- Fully deducts the fees for IRES purposes without obligations deriving from the minimum duration of the contract expected by the T.U.
- Fully deducts the fees for IRAP without distinction between assets and interests.
- Basilea Advantage 2: thanks to the rental, the good used is "out-of-asset", so it does not need a correspondent asset.
- All Risk insurance is included in the fees to cover possible claims.
- Fixed rate for all the operations.

Partner *BCC Lease*



## Dimensions



Code	Drawer L	A mm	a mm	B mm	b mm	H mm
DFC11BF3M000000	40	810	270	540	280	1750

## Technical Data

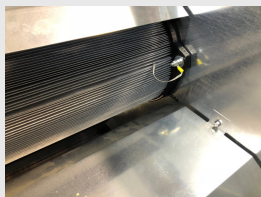
Code	Power kW	Nominal flow rate m <sup>3</sup> /h	Useful pressure Pa	Noise Db (A)	Filter surface area m <sup>2</sup>	Filtering efficiency %	Arm length meters	Cartridges num.	Arm diameter mm
DFC11BF3M000000	1,1 - 220V	2000	1000	79	20	99%	3	2	160



## Photogallery



## Accessories



### Replacement filter kit for antistatic cartridges for DFC11

KITCARTPADFC110

Replacement filter kit for installation of antistatic cartridges on DFC11 purifiers



### Triple attachment d100mm for DFC

3X100ASPMFC1100

Triple suction connection diam. 100 mm for DFC11



### Hopper and dust collection container kit for DFC11 purifier

TRAMCONTDFC0000

Hopper and dust collection container kit for DFC11 purifier.



### Antistatic filter kit for dust and fume extractor

DFC11FILKITA000

Kit consisting of No. 2 polyester antistatic filter cartridges for DFC dust and fume extractor.



## Spare parts

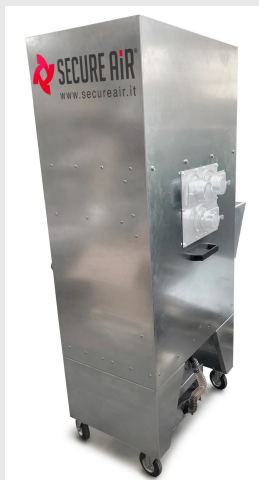


### Replacement cartridge kit for DFC11

Original replacement: no.1 pair of polyester cartridges for DFC11



## Related products



### DFC11NBM dust extractor with self-cleaning filters without arm

DFC11NBM0000000

The DFC series wheeled fumes and dust extractor is designed for the extraction and filtration of fumes and micro-dust, even very fine and volatile dust generated during surface treatment processes of metals or composite materials.



### DFC11BR3M fumes and dust extractor with self-cleaning filters and arm

DFC11BR3M0000000

The DFC mobile wheeled fume and dust extractor is designed for the extraction and filtration of even very fine and volatile fumes and micro-dust generated during surface treatment processes of metals or composite materials.



### Dust extractor DFC11NBTX with self-cleaning filters

DFC11NBTX0000000

The DFC series wheeled fume and dust extractor is designed for the extraction and filtration of even very fine and volatile fumes and micro-dust generated during surface treatment processes of metals or composite materials.

