

# Centrifugal in line fan SCC

🔧 Sectors [Plant Components, Ventilation,](#)  
[Laboratories and Medical,](#)

🔧 Applications: [Fix](#)

🔧 Issues [Medical, Odours](#)

COD: SCC0000000000000



The SCC ducted inline centrifugal fans are very easy to use thanks to the quick fastening with inline or parallel installation and the single-phase 230V Hz50 2-speed motors.

## Detailed description

These ducted fans thanks to the special configuration combine the typical advantage of helical fans of being able to transport air on the horizontal axis, with the high efficiencies of a centrifugal impeller in a metal body.

They are very easy to use thanks to quick fastening with in-line or parallel installation and single-phase 230V Hz50 2-speed motors.

The removable body allows for easy cleaning and maintenance.

### Construction:

- Galvanized steel case
- Single-phase electric motor, IP 44, class B, thermo-protected, suitable for operation by speed controller
- High-efficiency backward-bladed impeller
- Fluid thread rectifier
- External electrical connections in self-extinguishing technopolymer case, IP 54 protection

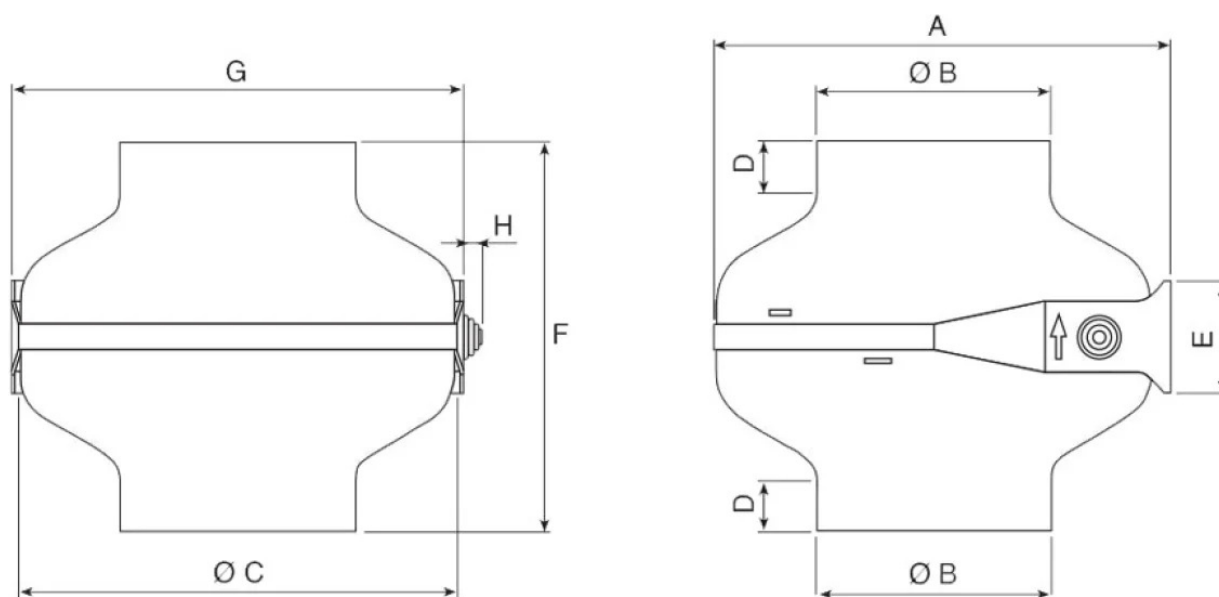


Descrizione	Modello - Model															
Technical data	100A	100B	110A	110B	120A	120B	120C	120D	120E	120F	120G	120H	120I	120J	120K	120L
Velocità di installazione (gpm)	1990	2350	1700	2400	2400	2470	3400	2550	2400	2550	2550	2550	2550	2550	2550	2550
Ripartizione (gpm)	40	47	39	50	52	53	51	53	52	53	55	53	57			
Levello (gpm)	220V	220V	220V	220V	220V	220V	220V	220V	220V	220V	220V	220V	220V	220V	220V	220V
Tensione	220V	220V	220V	220V	220V	220V	220V	220V	220V	220V	220V	220V	220V	220V	220V	220V
Consumo	0.06	0.06	0.07	0.07	0.06	0.08	0.07	0.11	0.09	0.11	0.18	0.18	0.29			
Potenza (kW)																
Consumo (kWh)	0.25	0.35	0.25	0.38	0.25	0.38	0.38	0.43	0.42	0.78	0.78	0.78	1.24			
Power supply (V)																
Regolazione	RV1/LSA	RV1/SA	RV1/LSA	RV1/LSA	RV1/LSA	RV1/LSA	RV1/LSA	RV1/LSA	RV1/LSA	RV1/LSA	RV1/LSA	RV1/LSA	RV1/LSA	RV1/LSA	RV1/LSA	RV1/LSA
Regolazione																
Protezione antiscandalo																
Fan net weight (kg)	3	3	3	3	3	3	3	3	3	3	3	3	3	3	3	3

Dimensione (mm)	Cm <sup>3</sup> /h - Puntata - liter															
	5	10	20	30	30	30	30	30	30	30	30	30	30	30	30	30
100	100	100	100	100	100	100	100	100	100	100	100	100	100	100	100	100
150	150	150	150	150	150	150	150	150	150	150	150	150	150	150	150	150
200	200	200	200	200	200	200	200	200	200	200	200	200	200	200	200	200
250	250	250	250	250	250	250	250	250	250	250	250	250	250	250	250	250
300	300	300	300	300	300	300	300	300	300	300	300	300	300	300	300	300
350	350	350	350	350	350	350	350	350	350	350	350	350	350	350	350	350
400	400	400	400	400	400	400	400	400	400	400	400	400	400	400	400	400
450	450	450	450	450	450	450	450	450	450	450	450	450	450	450	450	450
500	500	500	500	500	500	500	500	500	500	500	500	500	500	500	500	500
550	550	550	550	550	550	550	550	550	550	550	550	550	550	550	550	550
600	600	600	600	600	600	600	600	600	600	600	600	600	600	600	600	600
650	650	650	650	650	650	650	650	650	650	650	650	650	650	650	650	650
700	700	700	700	700	700	700	700	700	700	700	700	700	700	700	700	700
750	750	750	750	750	750	750	750	750	750	750	750	750	750	750	750	750
800	800	800	800	800	800	800	800	800	800	800	800	800	800	800	800	800
850	850	850	850	850	850	850	850	850	850	850	850	850	850	850	850	850
900	900	900	900	900	900	900	900	900	900	900	900	900	900	900	900	900
950	950	950	950	950	950	950	950	950	950	950	950	950	950	950	950	950
1000	1000	1000	1000	1000	1000	1000	1000	1000	1000	1000	1000	1000	1000	1000	1000	1000



## Dimensions



Code	A mm	ØB mm	D mm	E mm	G mm	H mm	ØF mm	ØD mm
SCC00000000100A	287	98	17	70	282	12	242	275
SCC00000000100B	287	98	17	70	282	12	242	275
SCC00000000125A	287	123	24	70	282	12	242	275
SCC00000000125B	287	123	24	70	282	12	242	275
SCC00000000150A	287	148	32	70	282	12	242	275
SCC00000000150B	287	148	32	70	282	12	242	275
SCC00000000160A	287	158	32	70	282	12	242	275
SCC00000000160B	354	158	24	84	345	12	272	345
SCC00000000200A	354	198	34	84	345	12	272	345
SCC00000000200B	354	198	34	84	345	12	272	345
SCC000000000250	354	248	48	84	345	12	272	345
SCC000000000315A	354	313	48	84	345	12	272	345
SCC000000000315B	354	313	48	84	345	12	272	345



## Technical Data

Code	Power kW	Noise Db (A)	Noise level dB	Voltage V	Rotational speed rpm	Current A	Regulator RV	Fan net weight kg
SCC00000000100A	0,06	40	40	230	1990	0.25	1,5A	3
SCC00000000100B	0,06	47	47	230	2530	0.35	1,5A	3
SCC00000000125A	0,07	50	50	230	2400	0.38	1,5A	3
SCC00000000125B	0,07	39	39	230	1700	0.25	1,5A	3
SCC00000000150A	0,06	52	52	230	2400	0.25	1,5A	3
SCC00000000150B	0,08	53	53	230	2470	0.38	1,5A	5
SCC00000000160A	0,07	51	51	230	2400	0.38	1,5A	3
SCC00000000160B	0,11	53	53	230	2550	0.43	1,5A	5
SCC00000000200A	0,08	52	52	230	2450	0.42	1,5A	5
SCC00000000200B	230	53	53	230	2550	0.78	1,5A	5
SCC000000000250	0,18	55	55	230	2550	0.78	1,5A	5
SCC000000000315A	0,18	53	53	230	2650	0.78	1,5A	8
SCC000000000315B	0,29	57	57	230	2630	1.24	3A	9



## Photogallery



## Accessories



### Single-phase speed controller for fans

REGVELMONO00000

Speed controllers are ideal for controlling **single-phase motors of axial or centrifugal fans**, single or double inlet or box fans.



## Related products

