

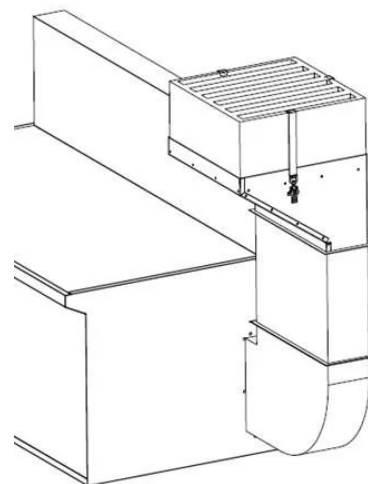
Exhaust kit with integrated HEPA filter for SBV benches

🔧 Sectors [Welding, Grinding, Sanding,](#)

🔧 Applications: [, Fix](#)

🔧 Issues [Fumes, Powders](#)

COD: KITSCASBCVHEPA0



Exhaust kit with integrated HEPA 13 filter compatible with SBV benches.

Detailed description

Kit composition:

- Rectangular curve
- Rectangular channel
- Filter housing

The components are made of galvanized sheet metal.

Compatibility: suitable for SBC-SBV suction benches all

Construction: curve and vertical outlet are made of high-quality galvanized sheet metal, with flange bolted to the bench and ejection mesh on the top outlet. The HEPA filter has galvanized frame and glass microfiber filter media.

Use: thanks to the H13-certified filter, this solution guarantees 99.95% post filtration according to UNI EN1822, downstream of the cartridges integrated in the suction bench, an absolute guarantee of safety in case of re-introduction into the environment of the air filtered by the bench.

Advantages: as for the curved accessory with vertical discharge, the purified air is conveyed upwards, avoiding raising dust on the floor and reducing noise (version with additional silencer on request).

HEPA filter stage

- Galvanized steel frame containing the filter element
- Glass microfiber filter media with two-component polyurethane sealant



Technical Data

Code	Filtering efficiency %	Initial load loss Pa
KITSCASBCVHEPA0	$\geq 99,95\%$	250



Accessories



Rectangular silencer on ejector for SBC / SBV

SILRETSBCV00000

Rectangular silencer applied on bench air exhaust, available in models 10 / 15 / 20 / 30



Vertical air outlet channel H1 mt suction desks

KITSCARICAMBSBT

Vertical air exhaust kit consisting of upward flanged side bend and mt 1 rectangular duct with top grille.



Related products



SBC suction bench with fan and self-cleaning filters

SBC000000000000

The **SBC suction bench** is available in 4 different sizes ranging from 1 to 3 meters. Designed to suck fumes and dust during professional operations that produce emissions dangerous for operators and the working environment as very volatile. This version is suitable for intensive use thanks to **cartridge filters with compressed air cleaning**, which ensure the restoration of maximum filtration efficiency at the end of the cycle and a long life in times.



SBV suction bench with integrated fan and filters

SBV000000000000

The **SBV suction bench** is designed to protect the operator from fumes and volatile dust emitted by professional processes such as welding, deburring, sanding or grinding of metals in the metalworking industry, foundries and all sectors where surface treatments with dry abrasives are carried out. It is also used for cleaning workpieces or blowing parts with associated dust emission. **In this version the suction bench is ready to use**, no fans or external filters or electrical connections are needed because the on/off switch is already fitted with a three-phase plug.

The basic version of the bench, referring to the prices in the table below, is already supplied complete with suction table, on/off circuit breaker wired to the motor and adjustable feet.

Accessories: you can customise the bench according to your production requirements by choosing from the various accessories available at the bottom of the page, or by contacting one of our consultants who will advise you on how to configure the system, for example by adding the side partitions shown in the photo.

