

# Self-supporting wall-mounted suction arm HRM160

📌 Sectors [Welding](#),

📌 Applications: [Fix](#)

📌 Issues [Fumes](#)

COD: HRM160000000000



The **HRM suction arm** thanks to the double external pantographs can be moved in all directions smoothly and lightly and maintains the desired position for maximum working comfort. Stability and precision are ensured by the plastic spring and clutch system. The suction hood is equipped with an ergonomic comfortable handle for easy positioning.

## Detailed description

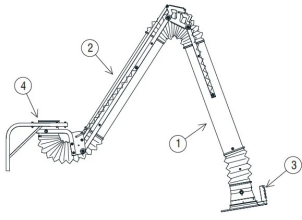
The **HRM self-supporting articulated suction arm** is the ideal solution for capturing fumes, gases and micro-dusts as close as possible to the operator, as required by safety regulations and protecting the respiratory tract from fumes and dust from welding, grinding and other processes.

Extractor fan: NO / to be connected to centralized system or external extractor fan.

### Advantages

- maximum precision thanks to pantograph
- no components immersed in the aspirated fluid
- minimal pressure drop



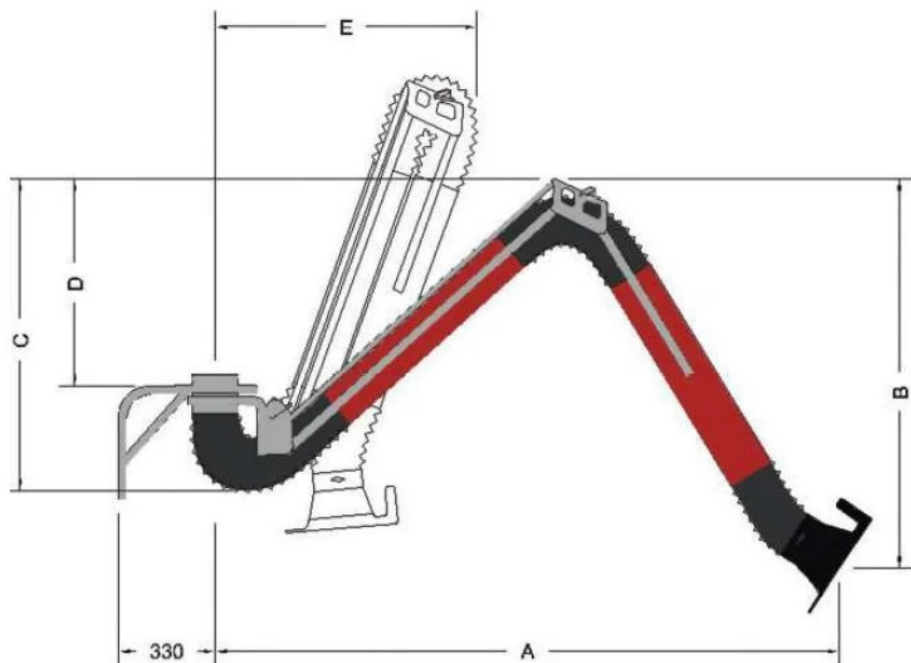


### Structure

- Double pantograph support structure outside the suction flow (1), cap support joint inside the suction flow;
- Rigid sheet steel piping painted in RAL 3003 (2);
- Multilayer polymer and aluminium hose resistant up to 120°C;
- High Efficiency" plastic hood (3) with rotating screen and built-in handle;
- Wall bracket (4) with connector



## Dimensions



### Measures

Code	A mm	B mm	C mm	D mm	E mm
HRM1600000000002	2168	1201	903	568	729
HRM1600000000003	3168	1701	1373	1038	900
HRM1600000000004	4168	2201	1843	1508	1071



## Technical Data

Code	Nominal flow rate m <sup>3</sup> / h	Arm length meters	Pipe diameter mm
HRM1600000000002	1250	2	160
HRM1600000000003	1250	3	160
HRM1600000000004	1250	4	160



## Photogallery



## Accessories



### EHRM 160mm extension

EHRM16000000000

Welded steel extension with wall bracket for wall-mounted suction arms.



## Spare parts



### Plastic arm hood diam. 160

High-efficiency plastic hood with rotating screen and built-in handle;  
For HRM-HRV suction arms.  
On request with integrated calibration damper.

