

WFD suction wall for smoke and dust

🔧 Sectors [Sanding, Grinding, Welding,](#)

🔧 Applications: [Fix](#)

🔧 Issues [Powders, Fumes](#)

COD:

WFD000000000000



WFD smoke and dust suction wall is designed for suction of machining dust on large surfaces, sanding, grinding, discarding, etc.

Detailed description

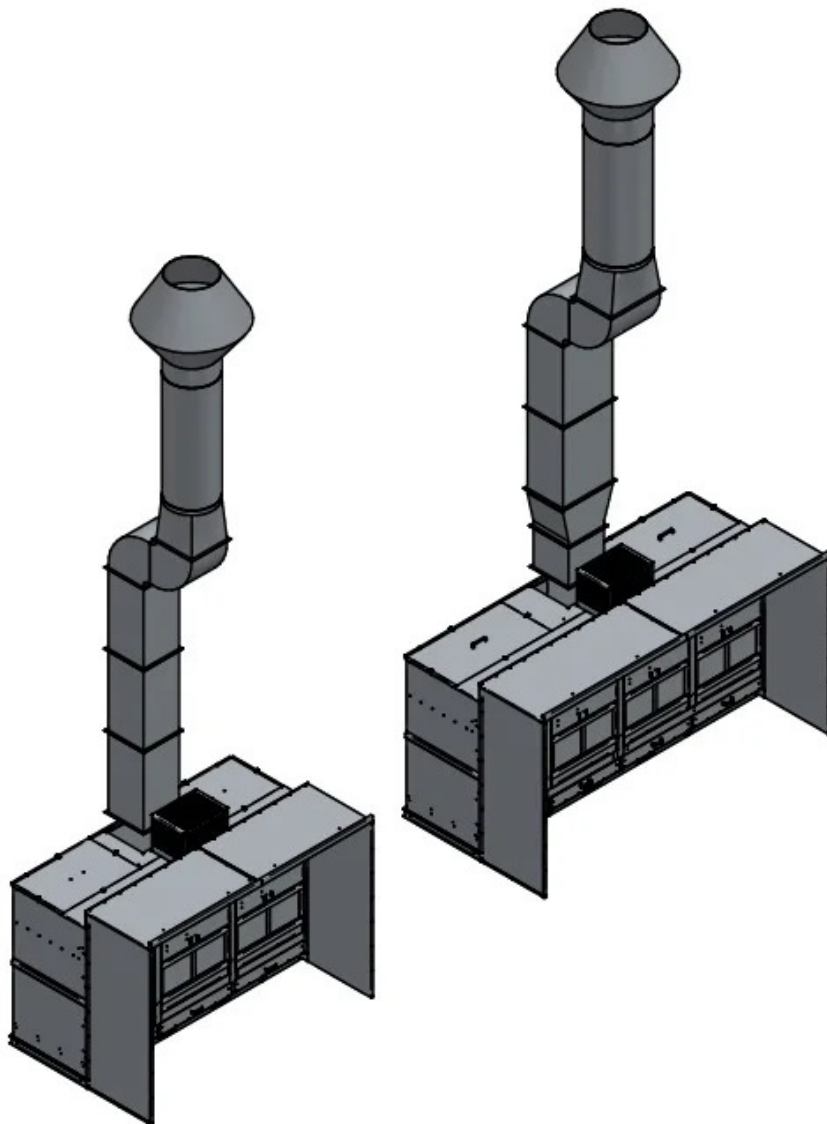
How it works

Dust and fumes are sucked frontally from the booth through the opposing vertical staves made by studying the suction flows. Thanks to the stilling chamber behind the staves, the larger dust particles fall directly into the collection drawers. The suctioned flow then passes through the filter cartridges installed at the edge of the cabin and is then expelled outward through the integrated extractor.

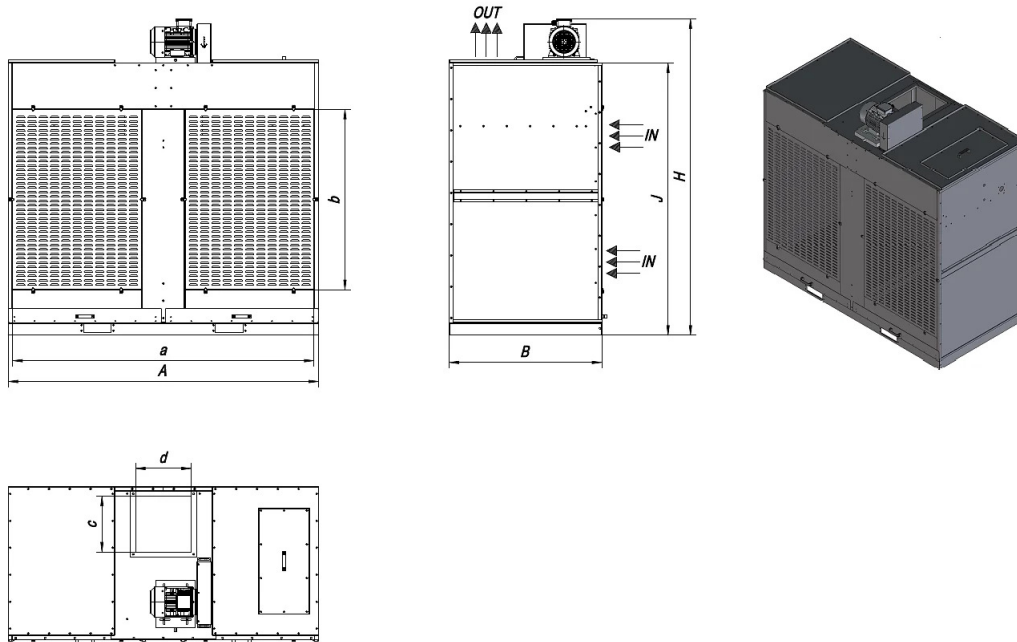
Construction

- Structure and panels made of strong galvanized sheet metal machined with numerically controlled punching machine, press-bent with computerized 6-axis bending machine
- Panels gasketed with silicone sealants and bolted together with high-strength bolts
- The wall forms a suction cabinet with an inclined suction plane to optimize suction over the entire front surface of the booth
- Filter cartridges mounted at the rear of the booth made of chemical-resistant polyester or antistatic polyester filter fabric
- Automated compressed air backwash cleaning complete with high-efficiency storage tank
- Available cartridges: polyester and antistatic polyester
- On request with normal or inverter control panel





Dimensions



Code	A mm	a mm	B mm	b mm	c mm	d mm	H mm	J mm
WFD200000000000	2250	2190	1100	1300	405	405	2350	1970
WFD300000000000	3150	3090	1100	1300	505	505	2450	1970
WFD400000000000	4050	3990	1100	1300	505	505	2450	1970
WFD500000000000	4950	4890	1100	1300	505	505	2550	1970
WFD600000000000	5850	5790	1100	1300	505	505	2550	1970



Technical Data

Code	Power kW	Nominal flow rate m ³ / h	Useful pressure Pa	Filter surface area m ²	Filtering efficiency %	Cartridges num.	Drawers num.	Drawers (size) L
WFD200000000000	4	8000	500	120	99	6	2	180
WFD300000000000	5,5	12000	500	160	99	8	3	270
WFD400000000000	7,5	16000	500	240	99	12	4	360
WFD500000000000	11	20000	500	320	99	16	5	450
WFD600000000000	15	24000	500	400	99	20	6	540



Photogallery



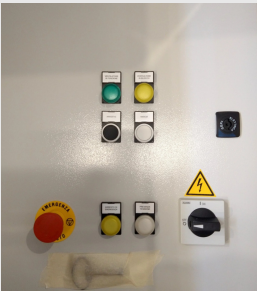
Accessories



Galvanized side extensions and roof cabins WFD

WFD0PLT000000000

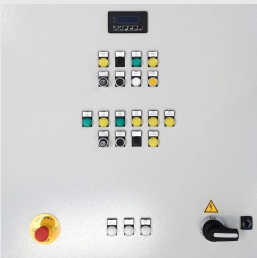
Pair of side walls and upper roof made of galvanized sheet metal with a standard length of 900mm (other sizes at choice) for WFD paint and powder suction wall booths model.



Electric panel for fan start-up

QED0000000000000

Direct-start and star-delta **industrial switchboard** for starting and protecting fan motors with 3F+T 400Vac 50/60Hz power supply.



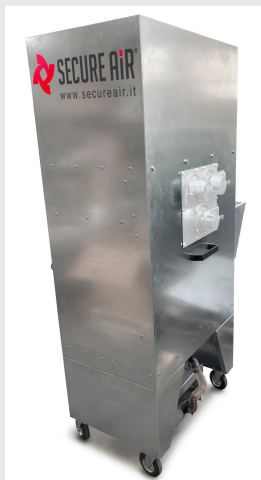
Switch cabinet with inverter for fan control

QEI0000000000000

Industrial electrical panel complete with three-phase inverter and remote operator terminal with LCD display, run/stop control, frequency regulation, monitor and alarm reset.



Related products



DFC11NBM dust extractor with self-cleaning filters without arm

DFC11NBM0000000

The DFC series wheeled fumes and dust extractor is designed for the extraction and filtration of fumes and micro-dust, even very fine and volatile dust generated during surface treatment processes of metals or composite materials.



WFDM suction wall for marble dust

WFDM00000000000

The **WFDM** suction wall with integrated filtration is the ideal solution for the suction and 99 percent filtration of dust generated by manual dry processing on marble, stone or other aggregates. Thanks to its cabinet-like design, it is easy to install and ensures the health of operators by protecting them and the work environment from volatile dust, sucked in frontally through specially designed openings at working height.

