

# SVM industrial centrifugal fans

🔧 Sectors **Plant Components, Exhaust gases, Welding, Ventilation, Grinding,**

🔧 Applications: **Fix**

🔧 Issues **Odours, Exhaust gases, Fumes, Powders**



COD: SVM000000000000

Industrial centrifugal fans with backward-bladed impeller SVM series

## Detailed description

Industrial centrifugal fans with backward-bladed impeller SVM series are made as follows:

- steel cochlea equipped with flange connections on the suction and pressure ports, with fully electro-welded and blue powder coated structure
- chair for motor-impeller unit support connected to the augers with bolted plate for quick impeller extraction in case of maintenance
- electrowelded steel impeller, statically and dynamically balanced with cast iron hub with flat backward running blades
- electric motor suitable for outdoor installation, can be driven by 3-phase inverter.

They are offered from stock in 7 sizes from 250 to 450 all with 2-pole motors, but are also available up to diameter 1000 with 4- or 6-pole motors.

### Application

For suction and conveying of clean or dusty air, with low-medium-high flow rates and low-medium pressures, sawdust, various chips, granular materials, excluding filamentous materials. Within the SECURAIR® program they find, for example, use for suction from self-supporting arms (when not already equipped with an on-board exhaust fan) or for making suctions with industrial hoods as shown in the image below.

**Centrifugal fans** can be complemented by a range of SECUREAIR accessories (The product photo refers to the version complete with all accessories) designed to facilitate their installation:

- circular fittings on suction and discharge, solving the problem of connecting fans to plant piping
- galvanized base frame for ground installation, complete with shock absorbers to reduce transmitted vibrations
- galvanized steel bracket for wall mounting, complete with shock absorbers to reduce transmitted vibrations
- vibration damping joints on suction and discharge, to reduce vibrations transmitted to the plant piping

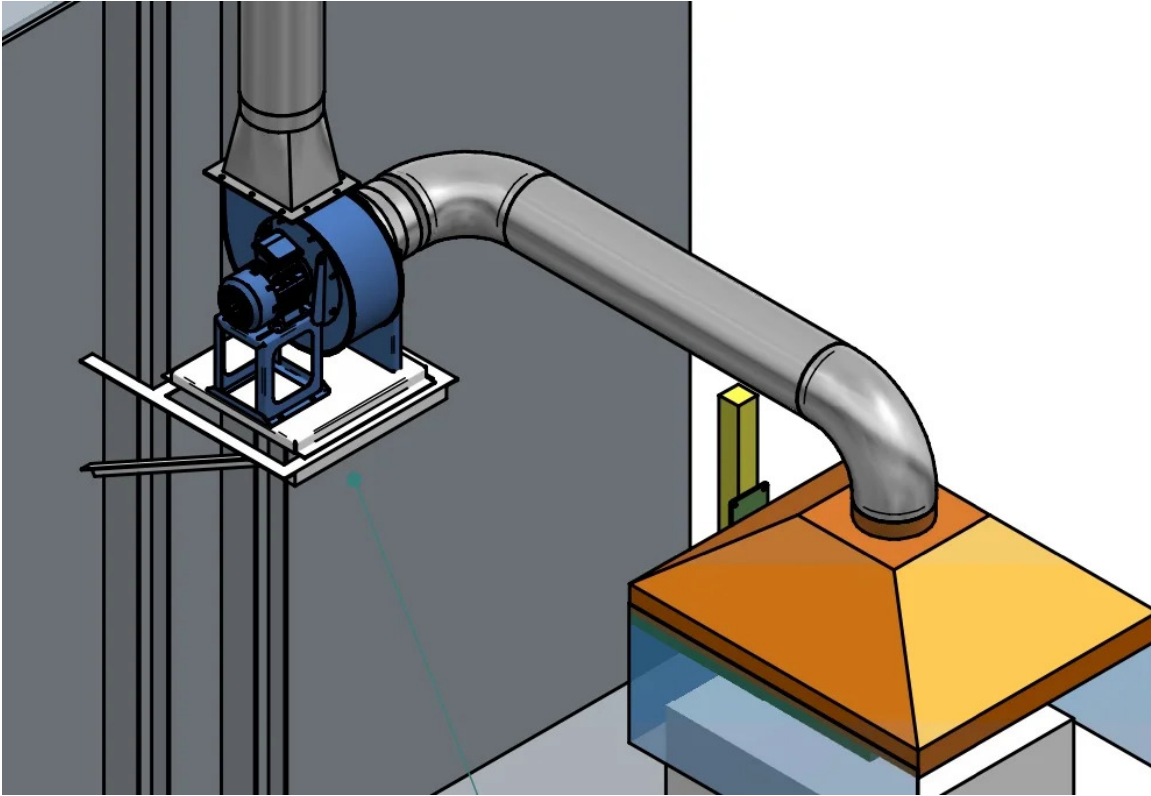
Remember that when ordering **for all centrifugal fans it is necessary to determine the direction of rotation of the impeller**, also known as "orientation." Looking at the fan from the side of the electric motor, the possible positions of the air delivery port are defined, according to international standards, by an alphanumeric abbreviation in which the literal part (RD - right or LG-left ) indicates the direction of rotation of the impeller and the numerical part indicates instead the angle in degrees of airflow exit from the delivery port.

There are 16 orientations available, n.8 clockwise (RD) and n.8 counterclockwise (LG) remembering that the direction of rotation is defined, in a centrifugal fan, by looking at the fan from the motor side.

A correct choice of orientation is crucial for the fan to work with maximum efficiency and to avoid turbulence in the piping.

Our technical department is available to support you in making the correct choice.





**Rotazione RD**  
vista lato motore  
**Rotation RD**  
motor side view



**Forma**  
**Form**

0°

**Rotazione LG**  
vista lato motore  
**Rotation LG**  
motor side view



45°



90°



135°



## Dimensions

| Code            | B<br>mm | H<br>mm | I<br>mm | Ø M<br>mm | Ø R<br>mm | H1<br>mm | H2<br>mm | ●<br>mm | J<br>mm | Ø<br>mm |
|-----------------|---------|---------|---------|-----------|-----------|----------|----------|---------|---------|---------|
| SVM250203700000 | 396     | 315     | 121     | 195       | 26        | 195      | 315      | 48      | 203     | 185     |
| SVM280207500000 | 438     | 375     | 121     | 217       | 48        | 200      | 375      | 48      | 203     | 205     |
| SVM310201500000 | 505     | 400     | 133     | 251       | 60        | 225      | 400      | 58      | 234     | 228     |
| SVM350202200000 | 530     | 450     | 133     | 251       | 60        | 255      | 450      | 58      | 234     | 255     |
| SVM400200400000 | 606     | 500     | 197     | 285       | 54        | 285      | 500      | 34      | 289     | 285     |
| SVM450207500000 | 673     | 560     | 237     | 345       | 64        | 320      | 560      | 44      | 337     | 320     |



## Technical Data

| Code            | Power<br>kW | Useful pressure<br>Pa | Noise<br>Db (A) | Weight<br>kg | Q max<br>mc/h | Rotational speed<br>rpm |
|-----------------|-------------|-----------------------|-----------------|--------------|---------------|-------------------------|
| SVM250203700000 | 0,37        | 970                   | 59              | 26           | 1370          | 2820                    |
| SVM280207500000 | 0,75        | 1220                  | 61              | 35           | 1800          | 2820                    |
| SVM310201500000 | 1,5         | 1640                  | 65              | 45           | 2500          | 2820                    |
| SVM350202200000 | 2,2         | 2040                  | 68              | 70           | 3960          | 2820                    |
| SVM400200400000 | 4           | 2850                  | 71              | 93           | 6120          | 2820                    |
| SVM450207500000 | 7,5         | 3460                  | 73              | 118          | 7920          | 2820                    |



## Accessories



### Centrifugal fan base SVM-R-F

SVMRF000000BSV0

Sturdy galvanized steel base **designed and constructed for supporting SVM-R-F series centrifugal fans.**



### Wall bracket for SVM-R-F centrifugal fans

SVMRF000000SPV0

Sturdy galvanized steel bracket **sized for wall mounting of SVM-R-F series fans**, complete with shock absorbers to reduce vibrations transmitted by the fan.



### Pair of fittings for centrifugal fans SVM-R-F

SVMRF000000RAP0

Pair of circular fittings made of galvanized steel, complete with flanges with holes for fixing to on suction and fan discharge and with edging prepared for collar on side of plant piping fixing.



### Circular compression fitting for SVM-R-F fans

SVMRF000000RPR0

**Circular galvanized steel fitting**, complete with flange with borings for fixing to on fan discharge and beading prepared for collar on plant piping fixing side.





### Circular suction connector for SVM-R-F fans

SVMRF000000RAS0

Circular suction fitting for SVM-R-F fans made of galvanized steel, complete with flange with holes for fastening to on fan suction and beading prepared for collar on plant piping fastening side.



### Press-in vibration damping joint for SVM-R-F fans

SVMRF000000GAP0

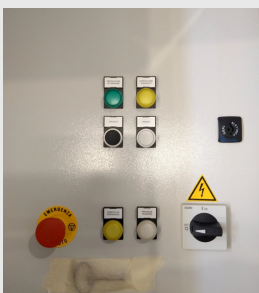
Circular anti-vibration joint for fastening on fan discharge connection, made of industrial tarred rubber, complete with prepared edging and fastening collars.



### Suction anti-vibration joint for SVM-R-F fans

SVMRF000000GAS0

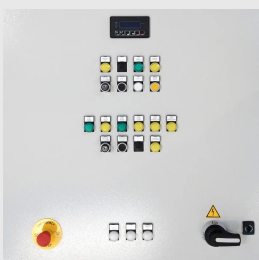
Circular anti-vibration joint for fastening on fan inlet connection, made of industrial cloth rubber, complete with prepared edging and fastening collars.



### Electric panel for fan start-up

QED000000000000

Direct-start and star-delta industrial switchboard for starting and protecting fan motors with 3F+T 400Vac 50/60Hz power supply.



### Switch cabinet with inverter for fan control

QEI000000000000

Industrial electrical panel complete with three-phase inverter and remote operator terminal with LCD display, run/stop control, frequency regulation, monitor and alarm reset.





## Motor cover for SVM-R-F fans

SVMRF000000CMT0

Galvanized steel motor cover carter, complete with holes for fixing to the fan.



## Related products



### SVR industrial centrifugal fans

SVR0000000000000

Industrial centrifugal fans with backward-bladed impeller SVR series



### SVF industrial centrifugal fans

SVF0000000000000

Industrial centrifugal fans with backward-bladed impeller SVF series

