

Circular lacquered aluminium hood diam 250 mm

🔗 Sectors

🔗 Applications: **Fix**

🔗 Issues **Fumes**

COD: CAPCIRC250ALL00

Circular extractor hood diam 250 mm in lacquered aluminium for C/H/B LAB arms.



Detailed description

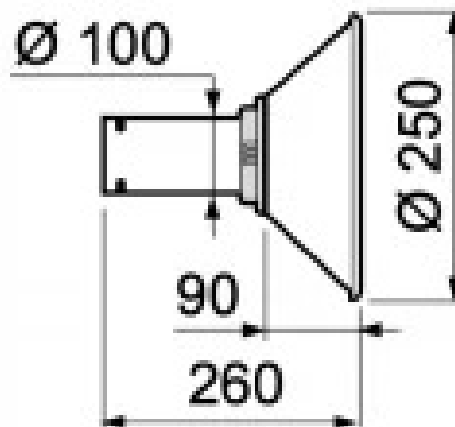
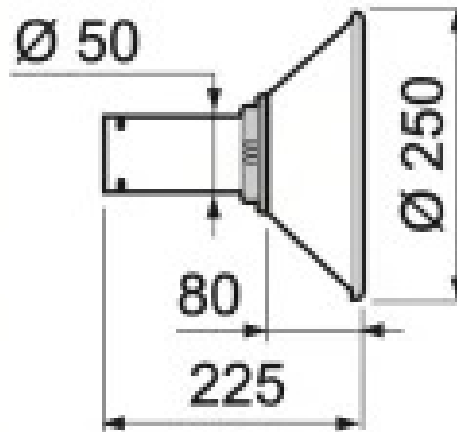
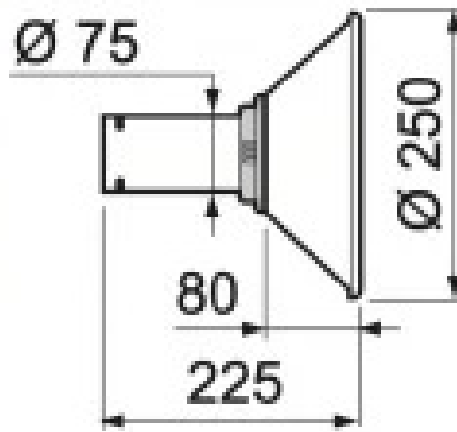
The metal hood is useful for work in corrosive environments and for capturing hot fumes and dust splashes. Supplied with aluminium tube for arm attachment.

Material: powder-coated aluminium

Weight: 300 g

Working temperature: -15°C / + 80°C





Technical Data

Code	Arm diameter mm
CAPCIRC250ALL50	50
CAPCIRC250ALL75	75
CAPCIRC250ALL10	100



Accessories



350VX circular transparent dome hood diam. 350mm

CAPPA350VX00000

The transparent dome hood is suitable for lighter gases with a wider dispersion of contaminants, without impeding visibility.



Circular transparent dome hood 500VX diam. 500 mm

CAPPA500VX00000

Transparent suction hood in oversized version.



Rectangular hood 350×300 mm

CAPPARET3503000

Transparent rectangular extractor hood 350×300 mm for B/C/H LAB 50/75 mm arms.



Transparent flat hood 300x200mm

CAPPAPIA3002000

Transparent rectangular suction hood 300x200mm for H/B/C LAB arms diam. 50 and 75mm.



Rectangular hood 570×470 mm

CAPPARET5704700

Transparent rectangular suction hood 570×470 mm for H/B/C arms LAB100 mm



Related products



BLAB 50/75mm laboratory suction arm for bench mounting

BLAB50750000000

The **BLAB laboratory arm** is designed for localized suction in workstations where high mobility is required, such as in chemical laboratories, universities, schools, chemical, pharmaceutical and electronic industries.

NB: hood excluded, to be selected from accessories.



HLAB 50/75/100mm laboratory suction arm for wall mounting

HLAB50751000000

The **HLAB laboratory arm** is designed for localized suction in workstations where high mobility is required, such as in chemical laboratories, universities, schools, chemical, pharmaceutical and electronic industries.

NB: hood excluded, to be selected from accessories.



CLAB 50/75/100mm laboratory suction arm for ceiling mounting

CLAB50751000000

The **CLAB laboratory arm** is designed for localized suction in workstations where high mobility is required, such as in chemical laboratories, universities, schools, chemical, pharmaceutical and electronic industries.

NB: hood excluded, to be selected from accessories.

