

SDCA activated carbon extractor

🔗 Sectors **Painting,**

🔗 Applications: **Fix**

🔗 Issues **VOC fumes**

COD:

SDCA000000000000



The **SDCA** series activated carbon vacuum cleaner is designed for the extraction and abatement of **VOC/COV fumes and odors** generated by paint touch-ups or other professional operations such as gluing, resin coating or manual cleaning with solvents, so as to limit their spread, while complying with environmental and occupational safety regulations.



Detailed description

The SDCA version is produced in **6 different models** all complete with on-board aspirator, support feet and three filter stages, with high quality virgin vegetable activated carbon final.

Construction

- Supporting structure made of aluminum profiles, equipped with feet
- Galvanized steel closing panels (painted on request)
- Front door for maintenance and replacement of filter cartridges.
- High-efficiency single-intake centrifugal fan
- IE3 400/3/50 electric motor.

Filtration

SDCA activated carbon filtration vacuum cleaners are complete with three filter stages:

STAGE 1

Filter composed of galvanized sheet metal, two corrugated meshes of electro-welded galvanized steel wire that contain the filter fabric and ensure adequate mechanical strength and filter protection.

Efficiency class (CEN EN779): G4

Group efficiency EN ISO 16890:2016 GROUP ISO ePM10 50% (ePM1 8% - ePM2.5 17% - ePM10 53%)

Average gravimetric efficiency: 90%

Reaction to fire (DIN53438): class F1

STAGE 2

15 mm thick synthetic filter placed inside the activated carbon cartridges.

Average weight efficiency (Am): 82%

Grammage: 160 gr/m²

Temperature resistance: 100 °C

Dust accumulation 482 gr/m²

Reaction to fire (DIN53438): class F1

STAGE 3

Cartridges made of concentric cylinders of micro-striped sheet metal and closed at the ends by galvanized sheet metal end caps. The cartridges are filled with mineral-based charcoal drawn in 4-mm cylinders designed especially for physical absorption in the gaseous phase of volatile organic substances. The cartridges are easily opened for replacement of spent activated carbon.

Applications

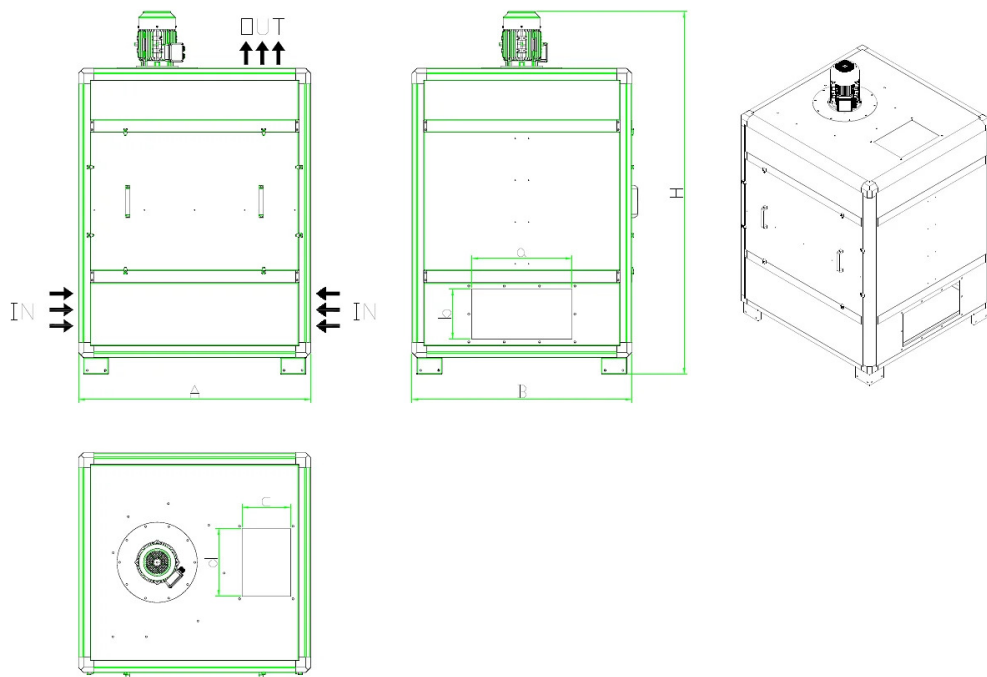
Activated carbon vacuums of the SDCA series being complete with an aspirator can be used to suck in fumes from capture systems such as suction arms or suction benches, or connected to custom-designed suction systems with specific capture points.

Accessories and options on request

- Activated carbon for specific exhalations
- Electrical panel and/or inverter
- Hour meter
- Fire-fighting system
- Painted structure
- AISI structure



Dimensions



Code	A mm	a mm	B mm	b mm	c mm	d mm	H mm
SDCA28000000000	800	250	450	120	250	120	1450
SDCA56000000000	800	450	800	150	325	230	1710
SDCA84000000000	1390	600	925	300	360	260	2250
SDCA11200000000	1390	600	1315	300	290	405	2250
SDCA16800000000	2000	1200	1315	300	640	290	2250
SDCA22400000000	2000	1200	1910	300	640	450	2250



Technical Data

Code	Power kW	Nominal flow rate m ³ / h	Useful pressure Pa	Coal kg
SDCA28000000000	1,1	1100	900	28
SDCA56000000000	2,2	2200	1000	56
SDCA84000000000	3	3300	900	84
SDCA11200000000	4	4400	700	112
SDCA16800000000	5,5	6600	650	168
SDCA22400000000	7,5	8800	1000	224



Spare parts



CA25 bag with 25 kg virgin granular activated carbon

Bag containing **25 kg** of new, unregenerated, mineral-dusted **granular activated carbon in cylinders**, selected for the purification of air from volatile organic solvents, VOCs or deodorisation.



Related products



SDC activated carbon extractor

SDC00000000000000

The **SDC series** activated carbon module is designed for abatement of **VOC/COV fumes and odors** generated by professional operations such as painting, gluing, resin coating or manual solvent cleaning, so as to limit their spread, in compliance with environmental and occupational safety regulations.



SAPC activated carbon filter module

SAPC00000000000000

The **SAPC series** activated carbon filter module is to be used for abatement of odors and organic compounds in extraction systems, such as in industrial kitchens, air treatment plants and for deodorization in general.

