

# Self-supporting wall-mounted suction arm PRM PRO series

🔧 Sectors [Welding](#),

🔧 Applications: [Fix](#)

🔧 Issues [Fumes](#)

COD:

PRM000000000000



The **self-supporting articulated suction arm PRM PRO series** is the professional version of the Secureair® suction arms, equipped with 4 robust pantographs, the ideal solution for capturing fumes, gases and micro-dust as close as possible to the operator, as required by safety regulations.

## Detailed description

Thanks to the suction arm, the respiratory tract is thus protected from fumes and dust from welding, grinding and other work.

PRM PRO series suction arms thanks to the external pantographs can be moved smoothly and lightly in all directions and maintain the desired position for maximum working comfort. Stability and precision are ensured by the plastic spring and clutch system.

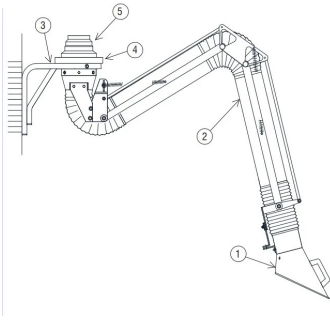
The truncated cone-shaped suction hood made of painted sheet steel is suitable for sucking in hot fumes, with elliptical capture and convenient ergonomic handle for easy positioning.

Extractor fan : NO / to be connected to centralized system or external extractor fan.

### Advantages

- easy to move remains stationary and suspended
- maximum precision thanks to quadruple pantograph
- no components immersed in the suctioned fluid
- minimal pressure drop



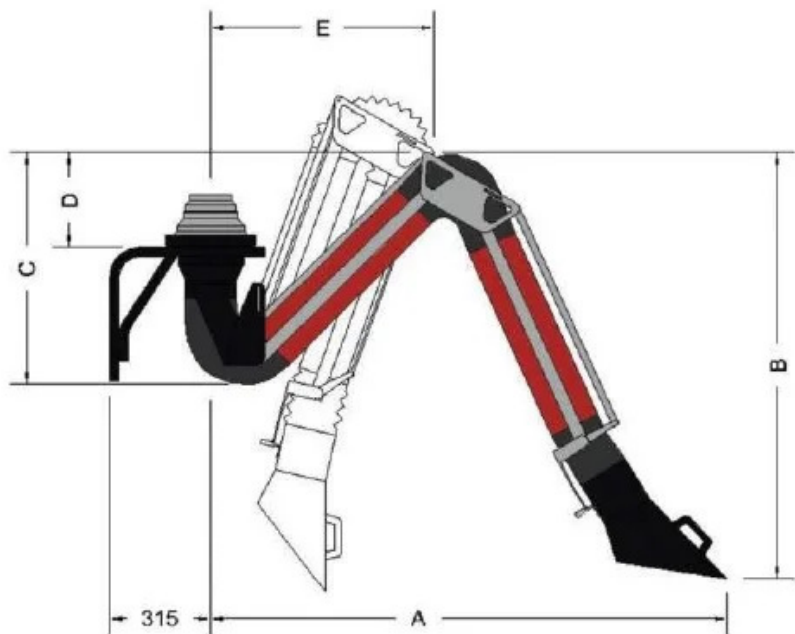


### Structure

- Quadruple pantograph support structure;
- Rigid tubes (2) of galvanised sheet steel painted in RAL 3003;
- Swivel base with fifth wheel;
- Truncated conical hood (1) in painted sheet steel;
- Flexible PVC-coated fabric hose, operating temperature -20° C to +90° C;
- Wall bracket (3), counter flange (4) and fitting (5);



## Dimensions



### Measures

Code	A mm	B mm	C mm	D mm	E mm	H mm
PRM125200000000	2305	1445	868	460	699	
PRM125300000000	3305	1955	1346	939	873	
PRM125400000000	4305	2455	1816	1408	1044	
PRM160200000000	2375	1515	885	460	699	
PRM160300000000	3375	2025	1364	939	873	
PRM160400000000	4375	2525	1833	1408	1044	
PRM200200000000	2415	1555	905	460	699	
PRM200300000000	3415	2065	1384	939	873	
PRM200400000000	4415	2565	1853	1408	1044	
PRM250200000000	2580	1666	930	368	822	822
PRM250300000000	3580	2176	1409	847	996	
PRM250400000000	4580	2676	1878	1316	1167	



## Technical Data

Code	Arm length meters	Pipe diameter mm
PRM125200000000	2	125
PRM125300000000	3	125
PRM125400000000	4	125
PRM160200000000	2	160
PRM160300000000	3	160
PRM160400000000	4	160
PRM200200000000	2	200
PRM200300000000	3	200
PRM200400000000	4	200
PRM250200000000	2	250
PRM250300000000	3	250
PRM250400000000	4	250



## Photogallery



## Accessories



### Rectangular plastic arm hood diam. 200mm

CAPPARETBR00000

The MAXIRET hood, thanks to its size and louvers, functions as a suction wall for efficient capture of pollutants over large areas.

