

# Round flange for exhaust air adaptation on silent curve

COD: FLTNASCURSB0000

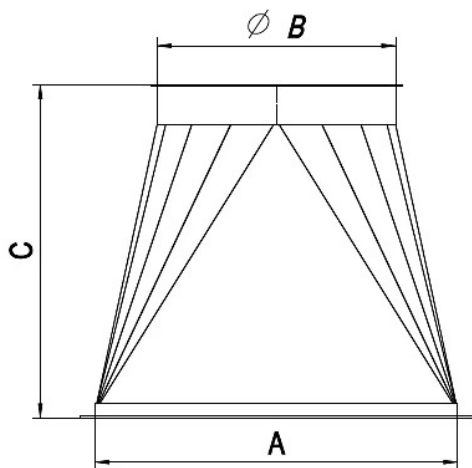


Round flange constructed of high-quality galvanized sheet metal, to be attached to vertical silenced exhaust air outlet for connection to exhaust ducts.

Specify diameter when ordering.

Suitable for suction benches model SBA, SBC, SBV, SBF

## Dimensions



| Code            | Ø B<br>mm | C<br>mm |
|-----------------|-----------|---------|
| FLTNASCURSBC100 | 250       | 300     |
| FLTNASCURSBV100 | 250       | 300     |
| FLTNASCURSBC150 | 300       | 300     |
| FLTNASCURSBV150 | 300       | 300     |
| FLTNASCURSBC200 | 400       | 300     |
| FLTNASCURSBV200 | 300       | 300     |
| FLTNASCURSBC300 | 450       | 300     |



| Code            | Ø B<br>mm | C<br>mm |
|-----------------|-----------|---------|
| FLTNASCURSBV300 | 400       | 300     |



## Related products



### SBC suction bench with fan and self-cleaning filters

SBC000000000000

The **SBC suction bench** is available in 4 different sizes ranging from 1 to 3 meters. Designed to suck fumes and dust during professional operations that produce emissions dangerous for operators and the working environment as very volatile. This version is suitable for intensive use thanks to **cartridge filters with compressed air cleaning**, which ensure the restoration of maximum filtration efficiency at the end of the cycle and a long life in times.



### SBV suction bench with integrated fan and filters

SBV000000000000

The **SBV suction bench** is designed to protect the operator from fumes and volatile dust emitted by professional processes such as welding, deburring, sanding or grinding of metals in the metalworking industry, foundries and all sectors where surface treatments with dry abrasives are carried out. It is also used for cleaning workpieces or blowing parts with associated dust emission. **In this version the suction bench is ready to use**, no fans or external filters or electrical connections are needed because the on/off switch is already fitted with a three-phase plug.

The basic version of the bench, referring to the prices in the table below, is already supplied complete with suction table, on/off circuit breaker wired to the motor and adjustable feet.

**Accessories:** you can customise the bench according to your production requirements by choosing from the various accessories available at the bottom of the page, or by contacting one of our consultants who will advise you on how to configure the system, for example by adding the side partitions shown in the photo.

