

# Exhaust pipe connection for mini MFP cabin

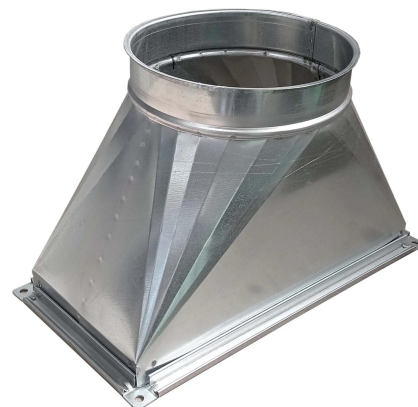
🔗 Sectors

🔗 Applications: **Fix**

🔗 Issues **VOC fumes**

COD:

MFPRACSCA000000



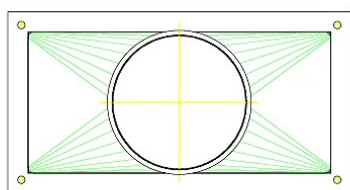
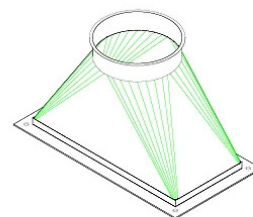
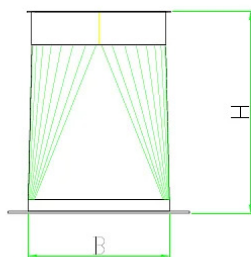
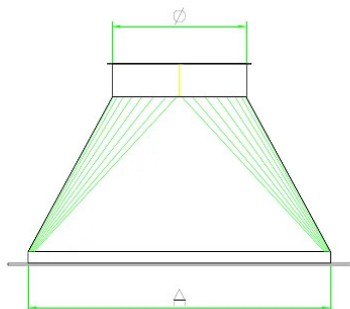
Exhaust pipe connection fitting for MFP mini cabin: supplied with drilled flange and hardware for cab roof mounting. Available for MFP10-15-18 mini cabin.

## Detailed description

Exhaust pipe connection for MFP mini-cabin: required to connect the mini-cabin to an exhaust line outside.



## Dimensions



Code	A mm	B mm	H mm	Ø mm
MFPRACSCA100000	450	210	300	200
MFPRACSCA150000	450	210	300	250
MFPRACSCA180000	480	250	300	300

## Photogallery





## Related products



### MFP Mini suction cabin with filters and extractor

MFP000000000000

The **mini MFP booth** is a true suction station with a convenient table top, usually used for small painting, gluing, nondestructive testing or other tasks that require a table top and safety ventilation provided by the suction front positioned in front of the operator so as to protect the respiratory tract.

