

Vertical baffle kits for Torrini STCQ

COD: KDVSTCQ00000000



Kit of **4 vertical baffles** made of galvanized sheet metal for STCQ Torres.

Detailed description

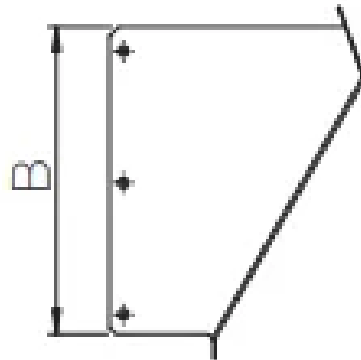
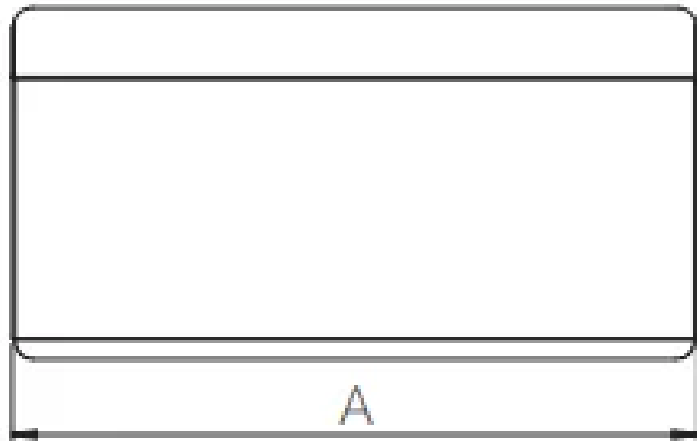
Kit of **4 vertical baffles** made of galvanized sheet metal for STCQ Torres to divert air flow upward.

Supplied with hardware.

Suitable for all **single-phase and three-phase STCQ** models.



Dimensions



Code	A mm	B mm
KDVSTC●20000000	365	165
KDVSTC●40000000	447	210
KDVSTC●60000000	447	235
KDVSTC●80100000	565	280
KDVSTC●15020000	695	365

Related products



STC● compact centrifugal Torrino extractor roof

STCQ00000000000

STC● compact centrifugal fans for roof-tower installation are horizontal or vertical discharge (with appropriate accessory) and suitable for extracting air directly or through ductwork in environments where high head is required for commercial and industrial applications such as factories, gyms, industrial facilities, warehouses, kitchens, etc.

