

FVS mobile smoke and dust extractor for forced ventilation

🔗 Sectors [Ventilation](#),

🔗 Applications: [Mobile](#)

🔗 Issues [Fumes](#)

COD: FVS0000000000000

The **FVS portable centrifugal fan on a trolley** is designed for forced safety ventilation in confined spaces or extraction of pollutants produced during professional work in a specific work area.

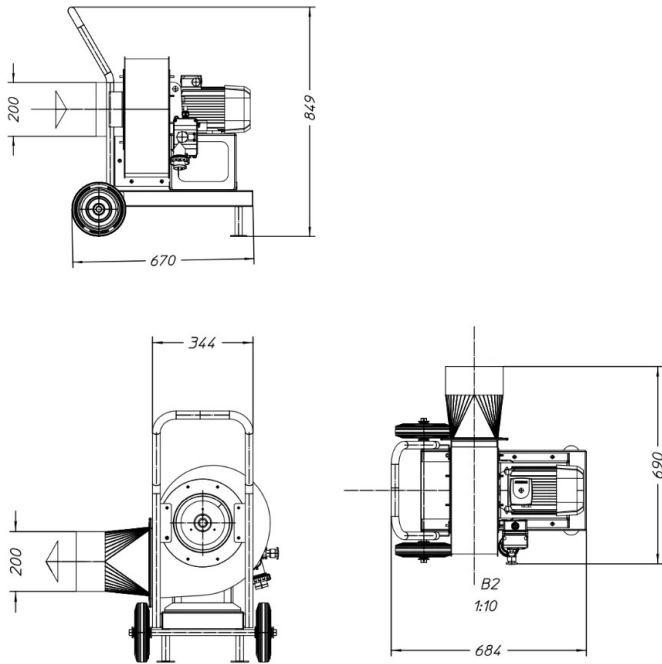
Detailed description

The FVS trolley-mounted portable centrifugal fan is composed of a structure **without plastic parts** and is especially robust to meet durability requirements on construction sites and during extreme use:

- centrifugal fan with high-efficiency impeller
- copper anti-spark nozzle on sucked air inlets
- italian brand electric motor power 2.2kW/220V/single phase
- connections for flexible hoses diam. 200mm
- no. 7 + 7 mt of reinforced PVC coated polyamide hose diam. 200mm with clamping belts
- electrical panel with motor protection device and single-phase power outlet
- sturdy painted steel trolley for convenient handling with handles and no.2 rubberized wheels



Dimensions



ATEX versions or longer pipes are available on request, please contact our Technical Department for more information.

Code	A mm	B mm	H mm
FVS000000000000	670	690	849

Technical Data

Code	Power kW	Nominal flow rate m ³ / h	Useful pressure Pa	Noise Db (A)	Weight kg	Noise level dB	Motor	Pipe Ø mm	Flex tube	Flex tube length	Standard hood
FVS000000000000	2.2kW/220V/single-phase	1500	1400	75	52	75 dB(A) at 1.5 m in free field (ducted)	Electric	200	pVC-reinforced polyamide	mt 7 (in) + 7 (out)	painted steel with floor support and handle



Photogallery



Related products



SVM industrial centrifugal fans

SVM0000000000000

Industrial centrifugal fans with backward-bladed impeller SVM series



SVR industrial centrifugal fans

SVR0000000000000

Industrial centrifugal fans with backward-bladed impeller SVR series



SVF industrial centrifugal fans

SVF0000000000000

Industrial centrifugal fans with backward-bladed impeller SVF series

