

# Rectangular hood 570×470 mm

🔗 Sectors

🔗 Applications: **Fix**

🔗 Issues **Medical**

COD: CAPPARET5704700



Transparent rectangular suction hood 570×470 mm for H/B/C arms LAB100 mm

## Detailed description

The rectangular hood allows a large surface area to be covered, thus suitable for the extraction of highly volatile gases. Suitable for top or side placement.

Supplied with aluminum tube for arm coupling.

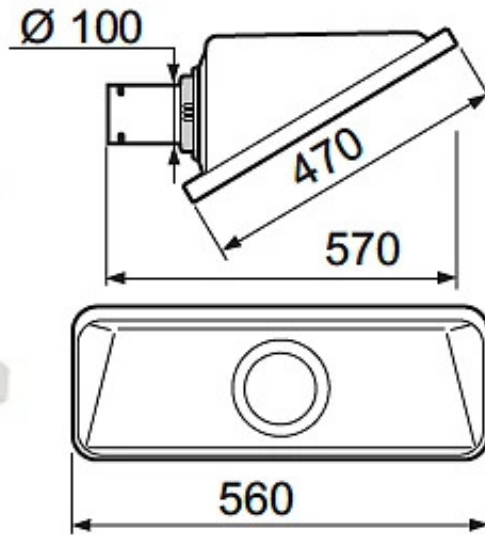
**Material:** PMMA

**Weight:** 450 gr

**Length:** 570×470 mm

**Working temperature:** -15°C / + 80°C





## Accessories



### 350VX circular transparent dome hood diam. 350mm

CAPPA350VX00000

The transparent dome hood is suitable for lighter gases with a wider dispersion of contaminants, without impeding visibility.



### Circular transparent dome hood 500VX diam. 500 mm

CAPPA500VX00000

Transparent suction hood in oversized version.



### Rectangular hood 350×300 mm

CAPPARET3503000

Transparent rectangular extractor hood 350×300 mm for B/C/H LAB 50/75 mm arms.



### Transparent flat hood 300x200mm

CAPPAPIA3002000

Transparent rectangular suction hood 300x200mm for H/B/C LAB arms diam. 50 and 75mm.



### Circular lacquered aluminium hood diam 250 mm

CAPCIRC250ALL00

Circular extractor hood diam 250 mm in lacquered aluminium for C/H/B LAB arms.



## Related products



### VLAB400 mobile fume and microdust extractor

VLAB400M13501H0

Mobile **VLAB 400** fume and micro laboratory dust extractor, with high flow rate, complete with arm diam. 100mm length 1350mm and integrated HEPA H14 filtration.



### BLAB 50/75mm laboratory suction arm for bench mounting

BLAB5075000000

The **BLAB laboratory arm** is designed for localized suction in workstations where high mobility is required, such as in chemical laboratories, universities, schools, chemical, pharmaceutical and electronic industries.

NB: hood excluded, to be selected from accessories.



### HLAB 50/75/100mm laboratory suction arm for wall mounting

HLAB50751000000

The **HLAB laboratory arm** is designed for localized suction in workstations where high mobility is required, such as in chemical laboratories, universities, schools, chemical, pharmaceutical and electronic industries.

NB: hood excluded, to be selected from accessories.



### CLAB 50/75/100mm laboratory suction arm for ceiling mounting

CLAB50751000000

The **CLAB laboratory arm** is designed for localized suction in workstations where high mobility is required, such as in chemical laboratories, universities, schools, chemical, pharmaceutical and electronic industries.

NB: hood excluded, to be selected from accessories.

